



EYE TO EYE

SECURITY

DEEP

ARTIFICIAL

LEARNING

INTELLIGENCE

***YOUR GOAL IS
OUR MISSION***

DATA SHEETS

May 2020 Edition

In Partnership with
KEDACOM



Table of Contents

Page 1.....IPC2655-Gi4N Human Recognitive HD Network Varifocal IR Bullet Camera

Page 2.....IPC2255-Gi4N Human Recognitive HD Network Varifocal IR Bullet Camera

Page 3.....IPC2252-Gi4N-SIR50-Z7022 Recognitive HD Network Varifocal IR Bullet Camera

Page 4.....IPC2231-Gi4N-SIR40-Z7022 Recognitive HD Network Varifocal IR Semi Dome

Page 5.....Falcon Human Recognition System

Page 6.....Closing Note

Page 7.....Videos

IPC2655-Gi4N

Human Recognitive HD Network Varifocal IR Bullet Camera



Features

Excellent Image Quality

6.0 Megapixel 1/1.8" progressive scan CMOS sensor
High definition and smooth picture, 3072 x 2048@30fps
WDR / HLC / 3D noise reduction

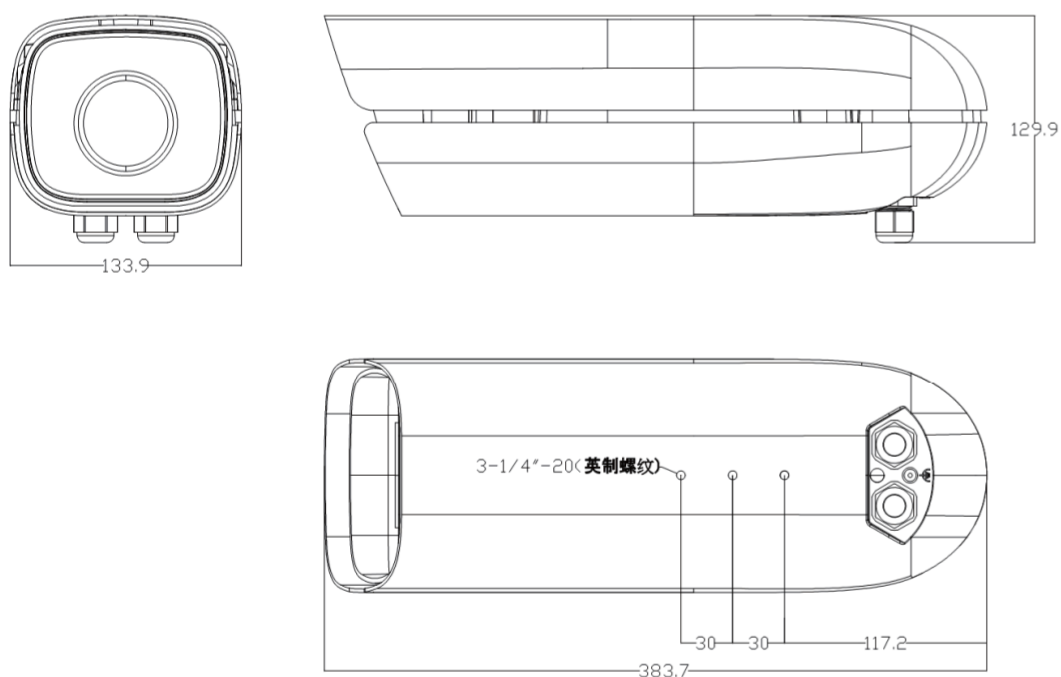
Recognitive Functions

Up to 18 targets simultaneously
Target capturing and characters recognizing
Bi-directional people counting
Built-in picture comparison algorithm, best picture selection
Face Intelligence Exposure

Abundant Functions and Features

Micro SD card slot, supports Automatic Network Replenishment (ANR)
Bi-directional audio / alarm in and out / RS485
40°C ~ 60°C operation temperature
IP66

Dimensions.....Units:mm



Specifications

IPC2655-Gi4N	
Camera	
Image Sensor	1/1.8" Progressive scan CMOS
Pixels	6.0 Megapixel
Min. Illumination	Color: 0.01Lux @ (F1.4, AGC ON) B/W: 0.001Lux @ (F1.4, AGC ON)
Shutter Speed	1/7.5 ~ 1/16,000s
Day / Night	Auto (ICR) / Color / B/W
Wide Dynamic Range	Digital WDR
S/N Ratio	52dB
White Balance	Auto / Manual
Gain Control	Auto / Manual
Backlight	Off / WDR / BLC / HLC
Lens	
Auto Iris	DC drive
Focal Length	15 ~ 50mm @ F1.4 motorized varifocal lens
Focus Control	Manual / Semi-Automatic / Auto
Night View	
IR Distance	100m
IR Intensity	Smart IR
Video	
Compression	H.265 / H.264 / MJPEG
Image Resolution	Main stream: 3072 x 2048 Secondary stream: D1
Frame Rate	Main stream: 3072 x 2048@30fps Secondary stream: D1@30fps
Bitrate	32kbps ~ 16Mbps
Bitrate Control	VBR / CBR
Multi-stream	Supported
Caption	Date and time / Alarm / Direction / Customized
Privacy Masking	Up to 4 zones
Motion Detection	Up to 4 zones
ROI	Supported
Digital Noise Reduction	3D noise reduction
Image Flip	Flip / Mirror / Rotation 90°, 180°, 270°
Audio	
Compression	G.711a / G.711u / ADPCM / G.722 / AAC-LC / G.722.1c
Bitrate	32kbps ~ 64kbps
Audio Function	Bi-directional audio / AEC / Mixed audio recording / Dumb / Mute
Network	
Network Protocols	TCP/IP, UDP, HTTP, DHCP, DNS/DDNS, RTP/RTCP, RTSP, PPPoE, FTP, VSIP, UPnP, 802.1x, NAT, QoS, SMTP, IPv4, IPv6 (optional)
User Interface	IPC Control (IE, Firefox, Chrome)
Max. User Access	Max. 10 Users (includes 2 internal)
Application Programming	ONVIF (Profile S, Profile G), GB/T 28181 2011, API, CGI
Automatic Network Replenishment (ANR)	Supported
Recognitive Functions	
Target Detection	Person, Face up to 18 targets simultaneously
Captured Picture	Person, Face, Full view Built-in picture comparison algorithm, best picture selection
Target Characters	Direction / Speed level
People Counting	Bi-directional
Face Enhancement	Face Intelligence Exposure
Alarm	
Alarm Triggers	Alarm input / Network disconnect / Disk full / Disk error
Alarm Events	Alarm report / Recording / Text overlay / Snapshot / External output / Email notice / Acoustic alarm
Interface	
Ethernet	10/100M, RJ45 interface
Audio In / Out	2 x Line in / 1 x Line out
Control	1 x RS485
Alarm In / Out	2 x Input / 1 x Output
Memory Slot	Micro SD card slot, supports up to 128GB
Environmental	
Operating Temperature	-40°C ~ 60°C / -40°F ~ 140°F
Operating Humidity	10% ~ 95%
Protection Level	IP66
Electrical	
Power	AC 24V ± 10%
Power Consumption	Max. 25W
Mechanical	
Weight	2.8kg / 6.17lb (Gross Weight)
Dimensions	383 x 129.9 x 133mm / 15.05" x 5.11" x 5.24"

IPC2255-Gi4N

Human Recognitive HD Network Varifocal IR Bullet Camera



Features

Excellent Image Quality

2.0 Megapixel 1/1.9" progressive scan CMOS sensor
High definition and smooth picture, 1080p@30fps
Ultra low illumination, 0.001lux with color picture
WDR / HLC / 3D noise reduction

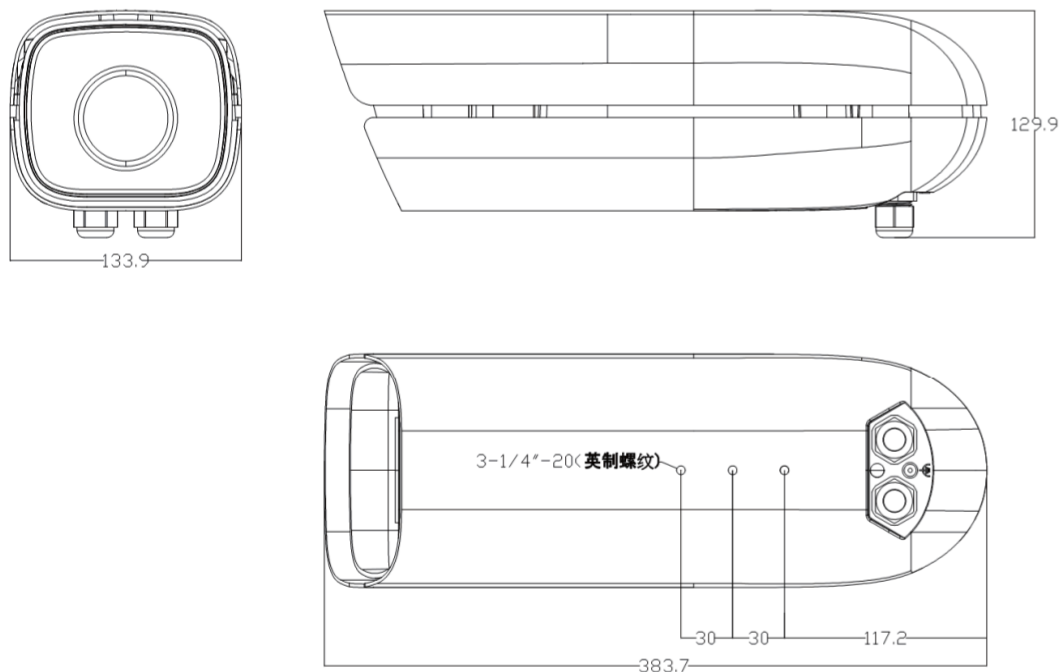
Recognitive Functions

Up to 18 targets simultaneously
Target capturing and characters recognizing
Bi-directional people counting
Built-in picture comparison algorithm, best picture selection
Face Intelligence Exposure

Abundant Functions and Features

Micro SD card slot, supports Automatic Network Replenishment (ANR)
Bi-directional audio / alarm in and out / RS485
40°C ~ 60°C operation temperature
IP66

Dimensions.....Units:mm

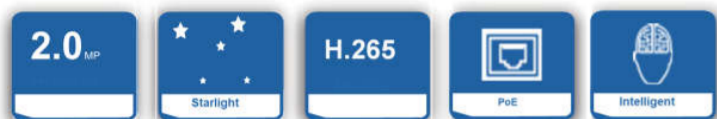


Specifications

IPC2255-Gi4N	
Camera	
Image Sensor	1/1.9" Progressive scan CMOS
Pixels	2.0 Megapixel
Min. Illumination	Color: 0.001Lux @ (F1.4, AGC ON) B/W: 0.0001Lux @ (F1.4, AGC ON)
Shutter Speed	1/7.5 ~ 1/16,000s
Day / Night	Auto (ICR) / Color / B/W
Wide Dynamic Range	Digital WDR
S/N Ratio	52dB
White Balance	Auto / Manual
Gain Control	Auto / Manual
Backlight	Off / WDR / BLC / HLC
Lens	
Auto Iris	DC drive
Focal Length	15 ~ 50mm @ F1.4 motorized varifocal lens
Focus Control	Manual / Semi-Automatic / Auto
Night View	
IR Distance	100m
IR Intensity	Smart IR
Video	
Compression	H.265 / H.264 / MJPEG
Image Resolution	Main stream: 1080p Secondary stream: D1
Frame Rate	Main stream: 1080p@30fps Secondary stream: D1@30fps
Bitrate	32kbps ~ 16Mbps
Bitrate Control	VBR / CBR
Multi-stream	Supported
Caption	Date and time / Alarm / Direction / Customized
Privacy Masking	Up to 4 zones
Motion Detection	Up to 4 zones
ROI	Supported
Digital Noise Reduction	3D noise reduction
Image Flip	Flip / Mirror / Rotation 90°, 180°, 270°
Audio	
Compression	G.711a / G.711u / ADPCM / G.722 / AAC-LC / G.722.1c
Bitrate	32kbps ~ 64kbps
Audio Function	Bi-directional audio / AEC / Mixed audio recording / Dumb / Mute
Network	
Network Protocols	TCP/IP, UDP, HTTP, DHCP, DNS/DDNS, RTP/RTCP, RTSP, PPPoE, FTP, VSIP, UPnP, 802.1x, NAT, QoS, SMTP, IPv4, IPv6 (optional)
User Interface	IPC Control (IE, Firefox, Chrome)
Max. User Access	Max. 10 Users (includes 2 internal)
Application Programming	ONVIF (Profile S, Profile G), GB/T 28181 2011, API, CGI
Automatic Network Replenishment (ANR)	Supported
Recognitive Functions	
Target Detection	Person, Face up to 18 targets simultaneously
Captured Picture	Person, Face, Full view Built-in picture comparison algorithm, best picture selection
Target Characters	Direction / Speed level
People Counting	Bi-directional
Face Enhancement	Face Intelligence Exposure
Alarm	
Alarm Triggers	Alarm input / Network disconnect / Disk full / Disk error
Alarm Events	Alarm report / Recording / Text overlay / Snapshot / External output / Email notice / Acoustic alarm
Interface	
Ethernet	10/100M, RJ45 interface
Audio In / Out	2 x Line in / 1 x Line out
Control	1 x RS485
Alarm In / Out	2 x Input / 1 x Output
Memory Slot	Micro SD card slot, supports up to 128GB
Environmental	
Operating Temperature	-40°C ~ 60°C / -40°F ~ 140°F
Operating Humidity	10% ~ 95%
Protection Level	IP66
Electrical	
Power	AC 24V ± 10%
Power Consumption	Max. 25W
Mechanical	
Weight	2.8kg / 6.17lb (Gross Weight)
Dimensions	383 x 129.9 x 133mm / 15.05" x 5.11" x 5.24"

IPC2252-Gi4N-SIR50-Z7022

Human Recognitive HD Network Varifocal IR Bullet Camera



Features

Excellent Image Quality

2.0 Megapixel 1/2.8" progressive scan CMOS sensor
 High definition and smooth picture, 1080p@30fps
 H.265 video codec, saves up to 50% bandwidth and storage
 Ultra low illumination, 0.002lux with color picture
 WDR support / 3D noise reduction / Auto Iris / HLC

Recognitive Functions

Up to 18 targets simultaneously
 Target capturing and characters recognizing
 Bi-directional people counting
 Built-in picture comparison algorithm, best picture selection
 Face Intelligence Exposure

Integrated High Efficiency IR

Industrial IR LED with long operational lifespan
 30 ~ 50m IR distance
 Smart IR function

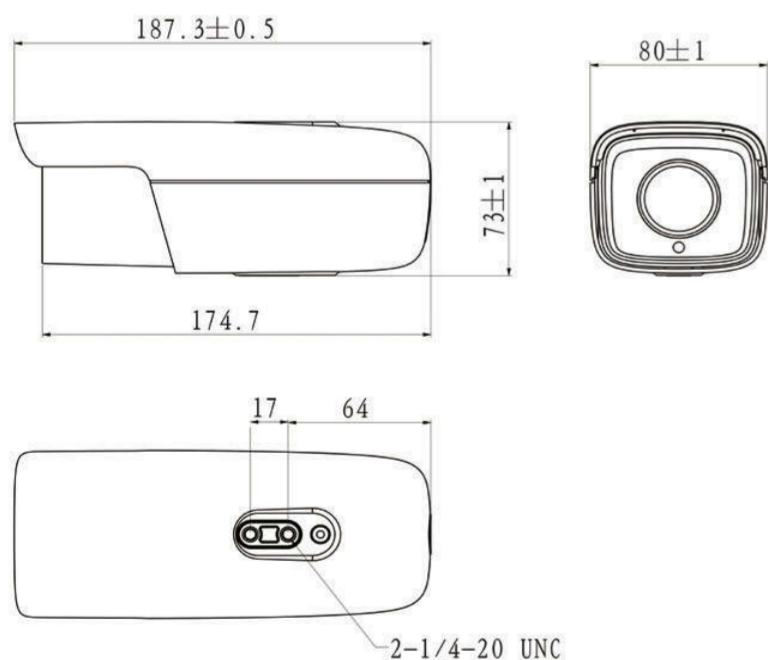
A Variety of Installation Modes

Varifocal AF lens

Abundant Functions and Features

Micro SD card slot, supports Automatic Network Replenishment (ANR)
 Bi-directional audio / alarm in and out / RS485
 Up to 3 Multi-stream
 PoE

Dimensions.....Units:mm



Specifications

IPC2252-Gi4N-SIR50-Z7022	
Camera	
Image Sensor	1/2.8" Progressive scan CMOS
Pixels	2.0 Megapixel
Min. Illumination	Color: 0.002lux @ (F1.2, AGC ON) B/W: 0.0002lux @ (F1.2, AGC ON);
Shutter Speed	1 ~ 1/30,000s
Day / Night	Auto (ICR) / Color / B/W
Wide Dynamic Range	Digital WDR
S/N Ratio	>52dB
White Balance	Auto / Manual
Gain Control	Auto / Manual
Backlight	Off / WDR / BLC / HLC
Lens	
Mount Type	Φ14
Auto Iris	DC drive
Focal Length	Z7022: 7~22mm @ F1.4 motorized varifocal lens
Focus Control	Manual / Semi-Automatic / Auto
Night View	
IR Distance	30 ~ 50m
IR Intensity	Smart IR
Video	
Compression	H.265 / H.264 / MJPEG
Image Resolution	Main stream: 1080p Secondary stream: D1
Frame Rate	Main stream: 1080p@30fps Secondary stream: D1@30fps
Bitrate	32kbps ~ 16Mbps
Bitrate Control	VBR / CBR
Multi-stream	Supported
Caption	Date and time / Alarm / Direction / Customized
Privacy Masking	Up to 4 zones
Motion Detection	Up to 4 zones
ROI	Supported
Digital Noise Reduction	3D noise reduction
Image Flip	Flip / Mirror / Rotation 90°, 180°, 270°
Audio	
Compression	G.711a / G.711u / ADPCM / G.722 / AAC-LC / G.722.1c / G.726
Bitrate	32kbps ~ 64kbps
Audio Function	Bi-directional audio / AEC / Mixed audio recording / Dumb / Mute
Network	
Network Protocols	TCP/IP, UDP, HTTP, DHCP, DNS/DDNS, RTP/RTCP, RTSP, PPPoE, FTP, VSIP, UPnP, 802.1x, NAT, QoS, SMTP, IPv4, IPv6 (optional)
User Interface	IPC Control (IE, Firefox, Chrome)
Max. User Access	Max. 10 Users (includes 2 internal)
Application Programming	ONVIF (Profile S, Profile G), GB/T 28181 2011, API, CGI
Automatic Network Replenishment (ANR)	Supported
Recognitive Functions	
Target Detection	Person, Face up to 18 targets simultaneously
Captured Picture	Person, Face, Full view Built-in picture comparison algorithm, best picture selection
Target Characters	Direction / Speed level
People Counting	Bi-directional
Face Enhancement	Face Intelligence Exposure
Alarm	
Alarm Triggers	Alarm input / Network disconnect / Disk full / Disk error
Alarm Events	Alarm report / Recording / Text overlay / Snapshot / External output / Email notice / Acoustic alarm
Interface	
Ethernet	10/100M, RJ45 interface
Audio In / Out	1 x Line in / 1 x Line out
Control	1 x RS485
Alarm In / Out	1 x Input / 1 x Output
Memory Slot	Micro SD card slot, supports up to 128GB
Environmental	
Operating Temperature	-40°C ~ 40°C / -40°F ~ 104°F
Operating Humidity	10% ~ 95%
Electrical	
Power	AC 24V ± 10% / DC12V ± 10% / PoE (IEEE802.3at)
Power Consumption	Max. 20W
Mechanical	
Weight	1 kg / 2.2lb (Gross Weight)
Dimensions	181.5 x 80 x 73mm / 7.15" x 3.15" x 2.87"

IPC2231-Gi4N-SIR40-Z7022

Human Recognitive HD Network Varifocal IR Semi Dome



Features

Excellent Image Quality

2.0 Megapixel 1/2.8" progressive scan CMOS sensor
 High definition and smooth picture, 1080p@30fps
 H.265 video codec, saves up to 50% bandwidth and storage
 Ultra low illumination, 0.002lux with color picture
 WDR support / 3D noise reduction / Auto Iris / HLC

Recognitive Functions

Up to 18 targets simultaneously
 Target capturing and characters recognizing
 Bi-directional people counting
 Built-in picture comparison algorithm, best picture selection
 Face Intelligence Exposure

Vandal-Proof

Above IK10 @ 50J collision energy

Integrated High Efficiency IR

Industrial IR LED with long operational lifespan
 20 ~ 40m IR distance
 Smart IR function

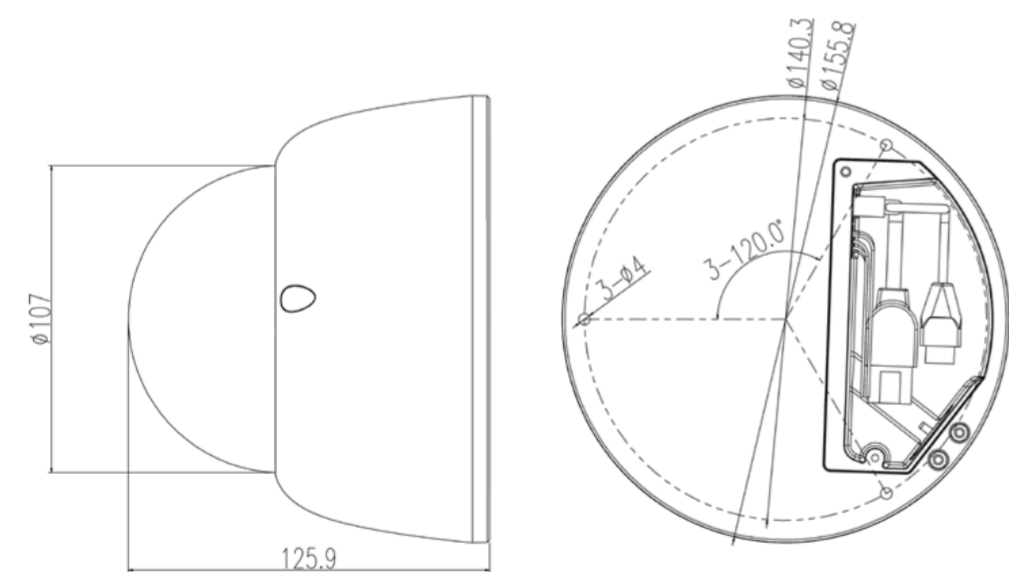
A Variety of Installation Modes

Varifocal AF lens

Abundant Functions and Features

Micro SD card slot, supports Automatic Network Replenishment (ANR)
 Bi-directional audio / alarm in and out / RS485
 Up to 3 Multi-stream
 PoE

Dimensions.....Units:mm



Specifications

IPC2231-Gi4N-SIR40-Z7022	
Camera	
Image Sensor	1/2.8" Progressive scan CMOS
Pixels	2.0 Megapixel
Min. Illumination	Color: 0.002lux @ (F1.2, AGC ON) B/W: 0.0002lux @ (F1.2, AGC ON);
Shutter Speed	1 ~ 1/30,000s
Day / Night	Auto (ICR) / Color / B/W
Wide Dynamic Range	Digital WDR
S/N Ratio	>52dB
White Balance	Auto / Manual
Gain Control	Auto / Manual
Backlight	Off / WDR / BLC / HLC
Lens	
Mount Type	Φ14
Auto Iris	DC drive
Focal Length	Z7022: 7~22mm @ F1.4 motorized varifocal lens
Angle of View	108° ~ 35°
Adjustment Range	Pan: 0° ~ 355° / Tilt: 0° ~ 75° / Rotation: 0° ~ 355°
Night View	
IR Distance	20 ~ 40m
IR Intensity	Smart IR
Video	
Compression	H.265 / H.264 / MJPEG
Image Resolution	Main stream: 1080p Secondary stream: D1
Frame Rate	Main stream: 1080p@30fps Secondary stream: D1@30fps
Bitrate	32kbps ~ 16Mbps
Bitrate Control	VBR / CBR
Multi-stream	Supported
Caption	Date and time / Alarm / Direction / Customized
Privacy Masking	Up to 4 zones
Motion Detection	Up to 4 zones
ROI	Supported
Digital Noise Reduction	3D noise reduction
Image Flip	Flip / Mirror / Rotation 90°, 180°, 270°
Audio	
Compression	G.711a / G.711u / ADPCM / G.722 / AAC-LC / G.722.1c / G.726
Bitrate	32kbps ~ 64kbps
Audio Function	Bi-directional audio / AEC / Mixed audio recording / Dumb / Mute
Network	
Network Protocols	TCP/IP, UDP, HTTP, DHCP, DNS/DDNS, RTP/RTCP, RTSP, PPPoE, FTP, VSIP, UPnP, 802.1x, NAT, QoS, SMTP, IPv4, IPv6 (optional)
User Interface	IPC Control (IE, Firefox, Chrome)
Max. User Access	Max. 10 Users (includes 2 internal)
Application Programming	ONVIF (Profile S, Profile G), GB/T 28181 2011, API, CGI
Automatic Network Replenishment (ANR)	Supported
Recognitive Functions	
Target Detection	Person, Face up to 18 targets simultaneously
Captured Picture	Person, Face, Full view Built-in picture comparison algorithm, best picture selection
Target Characters	Direction / Speed level
People Counting	Bi-directional
Face Enhancement	Face Intelligence Exposure
Alarm	
Alarm Triggers	Alarm input / Network disconnect / Disk full / Disk error
Alarm Events	Alarm report / Recording / Text overlay / Snapshot / External output / Email notice / Acoustic alarm
Interface	
Ethernet	10/100M, RJ45 interface
Audio In / Out	1 x Line in / 1 x Line out
Control	1 x RS485
Alarm In / Out	1 x Input / 1 x Output
Memory Slot	Micro SD card slot, supports up to 128GB
Environmental	
Operating Temperature	-40°C ~ 40°C / -40°F ~ 104°F
Operating Humidity	10% ~ 95%
Protection Level	IK10+ @50J
Electrical	
Power	AC 24V ± 10% / DC12V ± 10% / PoE (IEEE802.3at)
Power Consumption	Max. 20W
Mechanical	
Weight	1 kg / 2.2lb (Gross Weight)
Dimensions	Φ155.8 × 125.9mm / Φ6.14" × 4.96"

Falcon

Human Recognition System



Specifications

Falcon Human Recognition System	
KProServer2 CPU Server	
CPU Server Chassis	High density server chassis 19" 2U standard blade rack server chassis, able to insert 4 computing nodes, each computing node configuration 3 slot of 3.5 inch / 2.5-inch compatible hard drive slot, a total of 12 hard disk slot can be placed Include 2 unit of 1600W redundant platinum power supply
Computing Nodes	Computing Nodes for KProServer2 2 x Intel Xeon processor E5-2620V3 (6 core, 12 thread, 2.4GHz, 15MB Cache) 32GB RAM (KProServer2-N100-E01-32G) / 64GB RAM (KProServer2-N100-E01-64G) / 128GB RAM (KProServer2-N100-E02-128G) 3 x 1000M RJ45 OS license not included
HDD	Enterprise Class SATA HDD 4TB, 3.5", 7200 RPM, 6Gb/s, 64MB cache
Functions	Compares the attributes of each face Calculates the similarity percentage between faces
Operating Temperature	10°C ~ 40°C / 50°F ~ 104°F
Operating Humidity	50% ~ 90%
Power	100 ~ 127V AC, 50 ~ 60Hz / 200 ~ 240V AC, 50 ~ 60Hz
Power Consumption	Max. 1600W (4 computing nodes included)
Weight	38kg / 83.78lb (including 4 x nodes)
Chassis Dimensions	771 x 438 x 87.9mm / 30.35" x 17.24" x 3.46"
DeepEngine-1000 GPU Server	
GPU Server Chassis	High density server chassis 19" 4U standard blade rack server chassis, able to insert 6 computing nodes Include 4 unit of 1200W redundant platinum power supply
Computing Nodes	Computing Nodes for DeepEngine-1000 1 x 64 bit multi-core CPU, 2 x GPU, 32GB RAM 2 x 1000M RJ45, 64GB mSATA SSD OS license not included
Functions	Identifies the faces and persons in the video streaming Grabs the attributes of each face and person
Operating Temperature	0°C ~ 40°C / 32°F ~ 104°F
Operating Humidity	50% ~ 90%
Power	100 ~ 127V AC, 50 ~ 60Hz / 200 ~ 240V AC, 50 ~ 60Hz
Power Consumption	Max. 3000W (6 computing nodes included)
Weight	58kg / 127.87lb (including 6 x nodes)
Chassis Dimensions	820 x 440 x 177.8mm / 32.28" x 17.32" x 7"
System	
Supported Operating System	Windows 10 Professional 64-bit / Windows 10 Enterprise 64-bit Windows 7 Professional 64-bit / Windows 7 Enterprise 64-bit / Windows 7 Ultimate 64-bit Windows Server 2008 / Windows Server 2012
Database	Elastic Search
Application System	Falcon Human Recognition System
User Management	Admin / User
Maximum Number Of Camera / Video Stream Access	Up to 500,000
Face / Human Detection Comparison Library	Up to 10,000,000
Camera Access Type	Kedacom human recognitive camera Kedacom standard IPC (by Kedacom VMS) Third-party IPC (by Kedacom VMS and NVR) RTSP Video Stream (Optional)
Storage	Face and human pictures (By IPSAN)
Recognitive Functions	
Target Detection	Identifies the faces and persons in the video streaming
Captured Picture	Person, Face, Full view
Face Matching	Real-time / Post-event
Analysis	Analyzes attributes of human and face image, grabs the gender, age group, with or without glasses and mask, color of clothes, texture of clothes, direction, speed level
Search Mode	Date and time / Camera / Face image / Person image / Attributes (gender, age group, with or without glasses and mask, color of clothes, texture of clothes, direction, speed level)
People Counting	Bi-directional
Alarm	
Alarm Triggers	Face matching
Alarm Events	Alarm report / Snapshot / Acoustic alarm
Video	
Compression	H.265 / H.264
Live View	1080p@30fps
Network	
Network Protocols	TCP/IP, UDP, RTSP, VSIP, 802.1x, IPv4
User Interface	EPAS Client

Features

High Performance, High-capacity

Supports up to 500,000 cameras in one system
Supports up to 10,000,000 Face / Human Detection Comparison Library
Real-time multiple face matching, matching speed low to 2s
Up to 98% face recognition accuracy

Deep Analysis

Supports deep learning algorithm
Supports human attributes analysis

Good Compatibility

Supports different types of camera: Kedacom human recognitive camera, Kedacom standard IP camera, Third-party IP camera

Abundant Functions and Features

Three types of snapshot: face, head and shoulder, person
Supports recognizing and capturing the human side and back picture
Supports searching picture by picture or attributes



Dear Clients,

Thank you for taking the time to browse our Product Catalogue.

We have incorporated herein our comprehensive product range to suit versatile moving surveillance solutions.

We are especially excited to develop our advanced Recognitive Tracking System which has been the world's first of its type.

Before we do anything, we start with our clients in mind and this enables us to develop solutions which create tangible benefits and deliver excellent return on investment.

We are intrinsically R&D oriented in spirit and for this reason we invest a large part of our annual revenue to develop innovative products and solutions.

We take to heart the adage that excellence is a journey and cordially invite you to join us through a progressive future.

Warmest welcome,

Eye To Eye Security and KEDACOM Team

The information in this document is subject to change without prior notice. Every effort has been made in the preparation of this document to ensure accuracy of the contents, but that does not guarantee a complete omission of errors and as such any errors present as a result are purely accidental. Further any and all statements, information and recommendations in this document do not constitute a warranty of any kind whether expressed or implied. Eye To Eye Security and Kedacom International Pte Ltd, its staff and partners and associates are not in any way responsible for printing or clerical errors.

SCAN OR CLICK TO DOWNLOAD FACIAL RECOGNITION VIDEO



FALCON SYSTEM VIDEO



Eye To Eye Security Trading DWC-LLC

BUILDING A5, OFFICE 140, BUSINESS CENTRE,

DUBAI WORLD CENTRAL, UAE, P.O BOX 712821

www.eyetoeyesecurity.com