



EYE TO EYE SECURITY

LONG

DISTANCE

SURVEILLANCE

***YOUR GOAL IS
OUR MISSION***

DATA SHEETS



Table of Contents

Page 1.....IPC523-F255-NL 2.0MP HD 55x Network Laser PTZ Camera

Page 2.....IPC525-NL 2.0MP HD Long Range Laser PTZ Camera

Page 3.....IPC528-F360-NL5-R150Z 2.0MP HD Varifocal Thermal + Optical Bi-spectrum Laser PTZ Camera



Scan or Click to download Long Distance Surveillance Presentation

IPC523-F255-NL

2.0MP HD 55x Network Laser PTZ Camera



Features

Excellent Image Quality

- 2.0 Megapixel, 1/2.8" Progressive Scan CMOS Sensor
- High definition and smooth picture, 1080p@60fps
- H.265 video codec, saves up to 50% bandwidth and storage
- Ultra low illumination, 0.001lux with color picture
- 120dB Ultra WDR
- Laser automatically adjusts
- HLC / 3D noise reduction

Intelligent

- Motion detection / Tampering / Guard line / Enter guard area / Exit guard area / Object left / Object removal / Gathering / Audio surge

Long Operation Lifespan

- Industrial components, withstands operational temperatures between -40°C ~ 70°C
- IP66, TVS 6000V lightning protection, surge protection and voltage transient protection

Large Scale

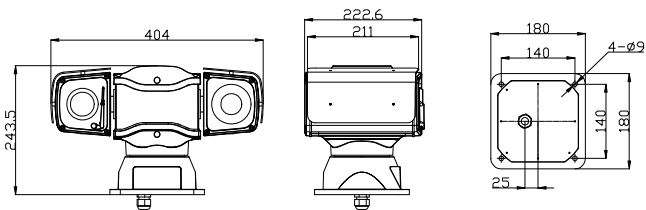
- 55x optical zoom
- Laser distance up to 1500m

Abundant Functions and Features

- SD card optional, supports Automatic Network Replenishment (ANR)
- Up to 3 video streams
- Bi-directional audio / alarm in and out / video out
- Wiper supported

Dimensions

Units: mm



Specifications

IPC523-F255 -NL	
Camera	
Image Sensor	1/2.8" Progressive Scan CMOS
Pixels	2.0 Megapixel
Min. Illumination	Color: 0.001Lux @ (F1.2, AGC ON) B/W: 0.0001Lux @ (F1.2, AGC ON); 0Lux with IR
Shutter Speed	1 ~ 1/30,000s
Day / Night	Auto (ICR) / Color / B/W
Wide Dynamic Range	Ultra WDR, >=120dB
S/N Ratio	>55dB
White Balance	Auto / Manual
Gain Control	Auto / Manual
Backlight Compensation	Off / WDR / BLC / HLC
Lens	
Focal Length	6.6 ~ 363mm, 55x optical
Zoom Speed	Approx. 4s (Optical)
Angle of View	43.8° ~ 1° (Wide~Tele)
Minimum Object Distance	300 ~ 1500mm (Wide~Tele)
Max. Aperture Ratio	F1.6 (Wide) / F6.0 (Tele)
Focus Control	Auto / Manual / Semi-Automatic
Laser	
Laser Distance	1500m
Laser Intensity	Automatically adjust according to zoom ratio
Pan and Tilt	
Pan / Tilt Range	360° Endless / -85° ~ 85° (Auto Flip)
Pan / Tilt Speed	Pan manual speed: 0.1° ~ 120°/s; Pan preset speed: 120°/s Tilt manual speed: 0.1° ~ 30°/s; Tilt preset speed: 100°/s
Proportional Zoom	Pan / Tilt speed can be adjusted automatically according to zoom multiples
Preset	256
Patrol	8 Patrols scheme, up to 32 presets per patrol
Pattern Scan	4 Scan paths, each path can record 10 minutes of operation path
Power-off Memory	Power-off memory / Power-on recovery
Auto Guard	Path / Preset / Pan scan
PT Limit	Manual / Scan / Pan
3D Positioning	PTZ control with mouse click and drag
Electronic compass	Built-in O-sensor
Wiper	Supported
Video	
Compression	H.265 / H.264 / MJPEG
Image Resolution	Main stream: 1080p Secondary stream: D1
Frame Rate	Main stream: 1080p@60fps Secondary stream: D1@30fps
Bitrate	32kbps ~ 16Mbps
Bitrate Control	VBR / CBR
Multi-stream	Supported
Caption	Date and time / Alarm / Direction / Customized
Privacy Masking	Up to 4 zones
Motion Detection	Up to 4 zones
Video Freeze	Supported
ROI	Supported
Digital Noise Reduction	3D noise reduction
Digital Defog	Supported
Image Flip	Flip / Mirror
Audio	
Compression	G.711a / G.711u / ADPCM / G.722 / AAC-LC / G.722.1c / G.726
Bitrate	32kbps ~ 64kbps
Audio Function	Bi-directional audio / AEC / Mixed audio recording / Dumb / Mute
Network	
Network Protocols Supported	TCP/IP, UDP, HTTP, DHCP, DNS/DDNS, RTP/RTCP, RTSP, PPPoE, FTP, VSIP, UPnP, 802.1x, NAT, QoS, SMTP, IPv4, IPv6 (optional)
User Interface	IPC Control (IE, Firefox, Chrome)
Max. User Access	10 Users (includes 2 internal access)
Application Programming	ONVIF (Profile S, Profile G), GB/T 28181-2011, API, CGI
Automatic Network Replenishment (ANR)	Supported
Alarm	
Alarm Triggers	Alarm input / Network disconnect / Disk full / Disk error
Intelligent	Motion detection / Tampering / Guard line / Enter guard area / Exit guard area / Object left / Object removal / Gathering / Audio surge
Alarm Events	Alarm report / Recording / Text overlay / Snapshot / External output / Email notice / Acoustic alarm
Interfaces	
Ethernet	10/100M, RJ45 interface
Audio In / Out	1 x Line in / 1 x Line out
Alarm In / Out	1 x Input / 1 x Output
Video Out	1 x BNC, 1.0V [p-p] / 75Ω
Memory Slot	Built-in Micro SD card (optional), up to 128GB
Environmental	
Operating Temperature	-40°C ~ 70°C / -40°F ~ 158°F
Operating Humidity	10% ~ 95%
Protection Level	IP66, TVS 6000V lightning protection, surge protection and voltage transient protection
Electrical	
Power	24V AC / 3A (Power adapter included)
Power Consumption	Max. 70W (Laser on)
Mechanical	
Weight	10kg / 22lb (Gross Weight)
Dimensions	404 x 222.6 x 243.5mm / 15.9" x 8.76" x 9.59"

IPC525-NL

2.0MP HD Long Range
Laser PTZ Camera



Features

Excellent Image Quality

- 2.0 Megapixel 1/1.9" Progressive Scan CMOS Sensor
- High definition and smooth picture, 1080p@30fps
- H.265 video codec, saves up to 50% bandwidth and storage
- Low illumination, 0.001lux with color picture
- 120dB Ultra WDR
- Laser automatically adjusts
- HLC / 3D noise reduction

Long Operation Lifespan

- Industrial components, withstand operation temperature of -40°C ~ 60°C
- IP66, TVS 6000V lightning protection, surge protection and voltage transient protection
- More than 30,000 hours operational lifespan of the laser illuminator

Large Scale

- 60x optical zoom (-F160-NL3, -F260-NL5)
- Barlow lens supported (-F160-NL3, -F260-NL5)
- Long range night vision up to 5Km (-F260-NL5)

Abundant Functions and Features

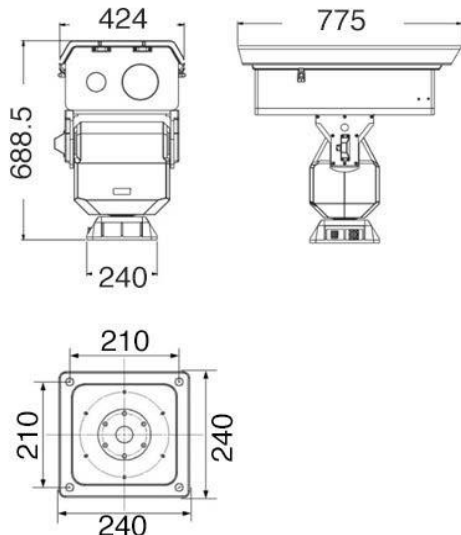
- Strong PT structure has smooth movements even with a 100kg carry-on load
- Optical defog
- Built-in O-sensor
- AR & AF housing glass
- Aviation connector

Specifications

IPC525-NL	
Camera	
Image Sensor	1/1.9" Progressive Scan CMOS
Pixels	2.0 Megapixel
Min. Illumination	Color: 0.001lux @ (F1.2, AGC ON) B/W: 0.0001lux @ (F1.2, AGC ON); 0lux with IR
Shutter Speed	1 ~ 1/30,000s
Day / Night	Auto (ICR) / Color / B/W
Wide Dynamic Range	Ultra WDR, 120dB
S/N Ratio	>57dB
White Balance	Auto / Manual
Gain Control	Auto / Manual
Backlight Compensation	Off / BLC / HLC
Lens	
Focal Length	F132-NL2: 15.6 ~ 500mm, 32x optical F160-NL3: 12.5 ~ 750mm, 60x optical, 2x Barlow lens supported F260-NL5: 16.7 ~ 1000mm, 60x optical, 2x Barlow lens supported
Zoom Speed	Approx 3 ~ 10s (Optical)
Angle of View	F132-NL2: 26.73° ~ 0.75° (Wide-Tele) F160-NL3: 28.71° ~ 0.49° (Wide-Tele) F260-NL5: 23.01° ~ 0.41° (Wide-Tele)
Minimum Object Distance	5000mm (Wide)
Max. Aperture Ratio	F3.5 (Wide) / F16 (Tele)
Focus Control	Auto / Manual / Semi-Automatic
Auto Back Focus	Automatic
Optical Defog	Supported
Laser	
Wave Length	808nm
Power Consumption	F132-NL2: 15W F160-NL3: 20W F260-NL5: 25W
Laser Distance	F132-NL2: 2Km F160-NL3: 3Km F260-NL5: 5Km
Laser Intensity	Automatically adjust according to lens zoom
Illuminating Angle	0.3° ~ 30° continuous change
Vision	
Day	F132-NL2: 3Km F160-NL3: 5Km F260-NL5: 8Km
Night	F132-NL2: 2Km F160-NL3: 3Km F260-NL5: 5Km
Pan and Tilt	
Pan / Tilt Range	360° Endless / -60° ~ 60° (Auto Flip)
Pan / Tilt Speed	Pan manual speed: 0.01° ~ 15°/s; Pan preset speed: 15°/s Tilt manual speed: 0.01° ~ 10°/s; Tilt preset speed: 10°/s
Proportional Zoom	Pan / Tilt speed can be adjusted automatically according to zoom multiples
Preset	256
Patrol	8 Patrols scheme, up to 32 presets per patrol
Pattern Scan	4 Scan paths, each path can record 10 minutes of operation path
Power-off Memory	Power-off memory / Power-on recovery
Auto Guard	Path / Preset / Pan scan
PT Limit	Manual / Scan / Pan
3D Positioning	PTZ control with mouse click and drag
Electronic compass	Built-in O-sensor
Location Sensor	GPS
Shield	
Housing Glass	AR & AF glass
Video	
Compression	H.265 / H.264 / MJPEG
Image Resolution	Main stream: 1080p Secondary stream: D1
Frame Rate	Main stream: 1080p@30fps Secondary stream: D1@30fps
Bitrate	32kbps ~ 16Mbps
Bitrate Control	VBR / CBR
Multi-stream	Supported
Caption	Date and time / Alarm / Direction / Customized
Privacy Masking	Up to 4 zones
Motion Detection	Up to 4 zones
Video Freeze	Supported
ROI	Supported
Digital Noise Reduction	3D noise reduction
Digital Defog	Supported
Image Flip	Mirror
Audio	
Compression	G.711a / G.711u / ADPCM / G.722 / AAC-LC / G.722.1c / G.726
Bitrate	32kbps ~ 64kbps
Audio Function	Bi-directional audio / AEC / Mixed audio recording / Dumb / Mute
Network	
Network Protocol Supported	TCP/IP, UDP, HTTP, DHCP, DNS/DDNS, RTP/RTCP, RTSP, PPPoE, FTP, VSIP, UPnP, 802.1x, NAT, QoS, SMTP, IPv4, IPv6 (optional)
User Interface	IPC Control
Max. Max. User Access	10 Users (include 2 internal access)
Application Programming	ONVIF, GB/T 28181-2011, API
Automatic Network Replenishment (ANR)	Supported
Alarm	
Alarm Triggers	Network disconnect / Disk full / Disk error
Intelligent	Motion detection / Tampering / Guard line / Enter guard area / Exit guard area / Object left / Object removal / Gathering / Audio surge
Alarm Events	Alarm report / Recording / Text overlay / Snapshot / External output / Email notice / Acoustic alarm
Interfaces	
Ethernet	10/100M, RJ45 interface
Audio In / Out	1 x Line in / 1 x Line out
Alarm	1 x Output
Memory Slot	TF card slot, supports up to 128GB
Environmental	
Operating Temperature	-40°C ~ 60°C / -40°F ~ 140°F
Operating Humidity	10% ~ 95%
Protection Level	IP66, TVS 6000V lightning protection, surge protection and voltage transient protection
Electrical	
Power	24V DC ± 25% (Power adapter included)
Power Consumption	F132-NL2: Max. 110W (Laser on) F160-NL3: Max. 115W (Laser on) F260-NL5: Max. 120W (Laser on)
Mechanical	
Weight	65kg / 143.3lb (Gross Weight)
Dimensions	775mm × 424mm × 688.5mm / 30.51" × 16.69" × 27.11"

Dimensions

Units: mm



IPC528-F360-NL5-R150Z

2.0MP HD Varifocal Thermal + Optical Bi-spectrum
Laser PTZ Camera



Features

Excellent Image Quality

2.0 Megapixel, 1/1.8" Progressive Scan CMOS Sensor
High definition and smooth picture, 1080p@60fps, 800 x 600@30fps (Thermal)
H.265 video codec, saves up to 50% bandwidth and storage
Low illumination, 0.005lux with color picture
120dB Ultra WDR
Laser automatically adjusts
HLC / 3D noise reduction

Thermal Module

High sensitivity thermal module, 800 x 600@30fps
Up to 9 palettes of adjustable color

Intelligent

Motion detection / Tampering / Guard line / Enter guard area / Exit guard area /
Object left / Object removal / Gathering / Audio surge

Long Operation Lifespan

Industrial components, withstands operational temperatures between -40°C ~ 60°C
IP66, TVS 6000V lightning protection, surge protection and voltage transient protection
More than 30,000 hours operational lifespan of the laser illuminator

Large Scale

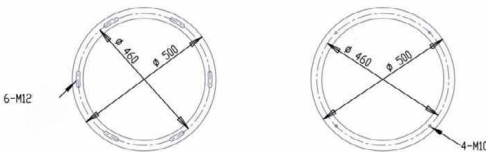
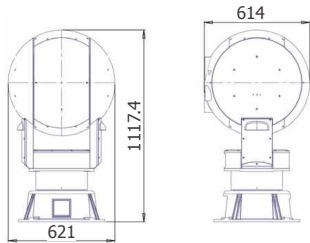
60x optical zoom
Long range night vision up to 5Km

Abundant Functions and Features

Micro SD card slot, supports Automatic Network Replenishment (ANR)
Strong PT structure has smooth movements even with a 100kg carry-on load
Optical defog
Built-in O-sensor
AR and AF housing glass
Aviation connector

Dimensions

Units: mm



Specifications

IPC528-F360-NL5-R150Z	
Thermal Module	
Image Sensor	Vanadium Oxide Uncooled Focal Plane Arrays
Resolution	800 x 600
Lens	15 ~ 150mm, 10x thermal
Pixel Interval	17μm
NETD	< 40mk(@25°C, F#-1.0)
Response Waveband	8μm ~ 14μm
Color mode	Up to 9 modes
Optical Camera	
Image Sensor	1/1.8" Progressive Scan CMOS
Pixels	2.0 Megapixel
Min. Illumination	Color: 0.005Lux @ (F3.0, AGC ON) B/W: 0.0005Lux @ (F3.0, AGC ON); 0Lux with Laser
Shutter Speed	1 ~ 1/30,000s
Day / Night	Auto (ICR) / Color / B/W
Wide Dynamic Range	Ultra WDR, >=120dB
S/N Ratio	>57dB
White Balance	Auto / Manual
Gain Control	Auto / Manual
Backlight Compensation	Off / WDR / BLC / HLC
Lens	
Focal Length	16.7 ~ 1000mm, 60x optical
Zoom Speed	Approx 3 ~ 10s (Optical)
Angle of View	28.43°~ 0.29° (Wide-Tele)
Minimum Object Distance	5000mm (Wide)
Max. Aperture Ratio	F3.5 (Wide) / F16 (Tele)
Focus Control	Auto / Manual / Semi-Automatic
Auto Back Focus	Auto
Optical Defog	Supported
Laser	
Wave Length	808nm
Power Consumption	25W
Laser Distance	5Km
Laser Intensity	Automatically adjust according to zoom ratio
Illuminating Angle	0.3° ~ 30° continuous change
Vision	
Day	10Km
Night	5Km
Pan and Tilt	
Pan / Tilt Range	360° Endless / -85° ~ 85° (Auto Flip)
Pan / Tilt Speed	Pan manual speed: 0.01° ~ 180°/s; Pan preset speed: 180°/s Tilt manual speed: 0.01° ~ 90°/s; Tilt preset speed: 90°/s
Proportional Zoom	Pan / Tilt speed can be adjusted automatically according to zoom multiples
Preset	256
Patrol	8 Patrols scheme, up to 32 presets per patrol
Pattern Scan	4 Scan paths, each path can record 10 minutes of operation path
Power-off Memory	Power-off memory / Power-on recovery
Auto Guard	Path / Preset / Pan scan
PT Limit	Manual / Scan / Pan
3D Positioning	PTZ control with mouse click and drag
Electronic compass	Built-in O-sensor
Location Sensor	GPS
Shield	
Housing Glass	AR & AF glass
Video	
Compression	H.265 / H.264 / MJPEG
Image Resolution	Main stream: 1080p Secondary stream: D1
Frame Rate	Main stream: 1080p@60fps Secondary stream: D1@30fps
Bitrate	32kbps ~ 16Mbps
Bitrate Control	VBR / CBR
Multi-stream	Supported
Caption	Date and time / Alarm / Direction / Customized
Privacy Masking	Up to 4 zones
Motion Detection	Up to 4 zones
Video Freeze	Supported
ROI	Supported
Digital Noise Reduction	3D noise reduction
Digital Defog	Supported
Image Flip	Mirror
Audio	
Compression	G.711a / G.711u / ADPCM / G.722 / AAC-LC / G.722.1c / G.726
Bitrate	32kbps ~ 64kbps
Audio Function	Bi-directional audio / AEC / Mixed audio recording / Dumb / Mute
Network	
Network Protocols Supported	TCP/IP, UDP, HTTP, DHCP, DNS/DDNS, RTP/RTCP, RTSP, PPPoE, FTP, VSIP, UPnP, 802.1x, NAT, QoS, SMTP, IPv4, IPv6 (optional)
User Interface	IPC Control (IE, Firefox, Chrome)
Max. User Access	10 Users (includes 2 internal)
Application Programming	ONVIF (Profile S, Profile G), GB/T 28181-2011, API, CGI
Automatic Network Replenishment (ANR)	Supported
Alarm	
Alarm Triggers	Alarm input / Network disconnect / Disk full / Disk error
Intelligent	Motion detection / Tampering / Guard line / Enter guard area / Exit guard area / Object left / Object removal / Gathering / Audio surge
Alarm Events	Alarm report / Recording / Text overlay / Snapshot / External output / Email notice / Acoustic alarm
Interfaces	
Ethernet	10/100M, RJ45 interface
Audio In / Out	1 x Line In / 1 x Line out
Alarm In / Out	1 x Input / 1 x Output
Memory Slot	Built-in Micro SD card (optional), up to 128GB
Environmental	
Operating Temperature	-40°C ~ 60°C / -40°F ~ 140°F
Operating Humidity	10% ~ 95%
Protection Level	IP66, TVS 6000V lightning protection, surge protection and voltage transient protection
Electrical	
Power	48V DC ± 25% (Power adapter included)
Power Consumption	Max. 180W (Laser on)
Mechanical	
Weight	150kg / 330.69lb (Gross Weight)
Dimensions	614 x 621 x 1170mm / 24.17" x 24.45" x 46.06"



Dear Clients,

Thank you for taking the time to browse our Product Catalogue.

We have incorporated herein our comprehensive product range to suit versatile moving surveillance solutions.

We are especially excited to develop our advanced Recognitive Tracking System which has been the world's first of its type.

Before we do anything, we start with our clients in mind and this enables us to develop solutions which create tangible benefits and deliver excellent return on investment.

We are intrinsically R&D oriented in spirit and for this reason we invest a large part of our annual revenue to develop innovative products and solutions.

We take to heart the adage that excellence is a journey and cordially invite you to join us through a progressive future.

Warmest welcome,

Eye To Eye Security and KEDACOM Team

The information in this document is subject to change without prior notice. Every effort has been made in the preparation of this document to ensure accuracy of the contents, but that does not guarantee a complete omission of errors and as such any errors present as a result are purely accidental. Further any and all statement/s, information and recommendations in this document do not constitute a warranty of any kind whether expressed or implied. Eye To Eye Security and Kedacom International Pte Ltd, its staff and partners and associates are not in any way responsible for printing or clerical errors.

SCAN OR CLICK TO DOWNLOAD LONG DISTANCE VIDEOS



LONG DISTANCE SURVEILLANCE



Eye To Eye Security Trading DWC-LLC

BUILDING A5, OFFICE 140, BUSINESS CENTRE,

DUBAI WORLD CENTRAL, UAE, P.O BOX 712821

www.eyetoeyesecurity.com