

# IPC525

## 2.0MP HD Long Range Laser PTZ Camera



### Features

#### Excellent Image Quality

2.0 Megapixel 1/1.9" Progressive Scan CMOS Sensor  
 High definition and smooth picture, 1080p@30fps  
 H.265 video codec, saves up to 50% bandwidth and storage  
 Low illumination, 0.001lux with color picture  
 120dB Ultra WDR  
 Laser automatically adjusts  
 HLC / 3D noise reduction

#### Long Operation Lifespan

Industrial components, withstand operation temperature of -40°C ~ 60°C  
 IP66, TVS 6000V lightning protection, surge protection and voltage transient protection  
 More than 30,000 hours operational lifespan of the laser illuminator

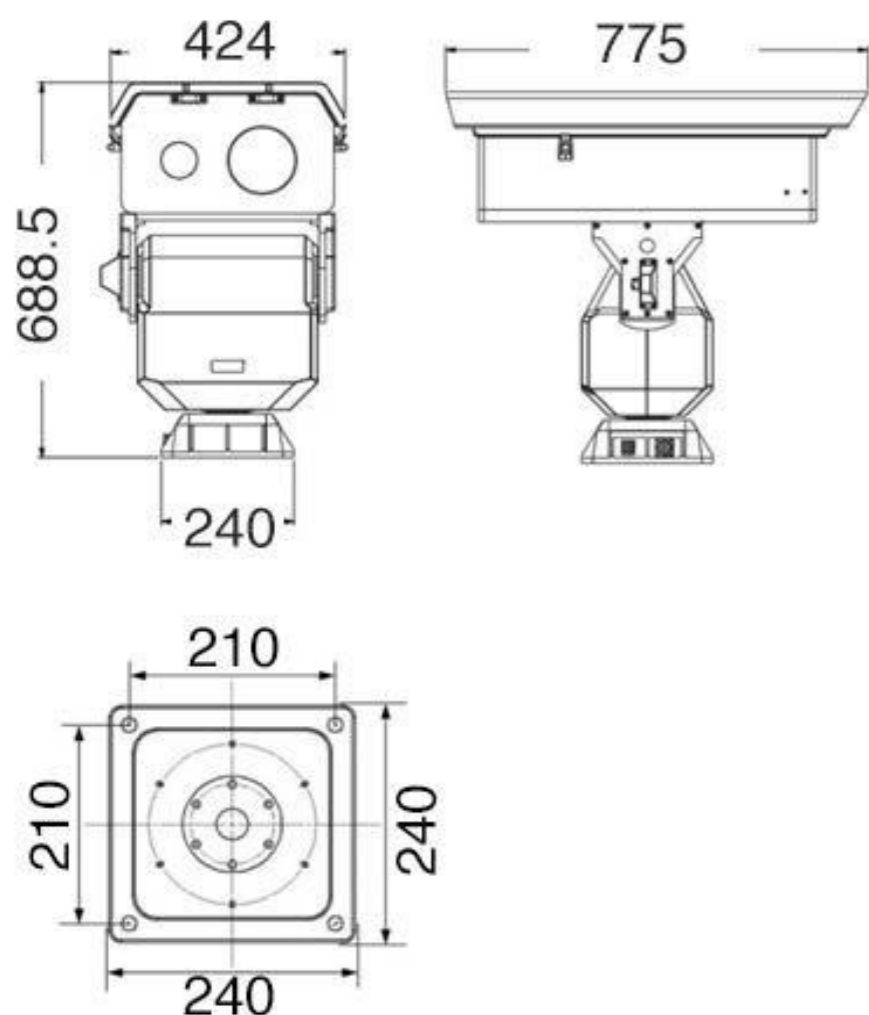
#### Large Scale

60x optical zoom (-F160-NL3, -F260-NL5)  
 Barlow lens supported (-F160-NL3, -F260-NL5)  
 Long range night vision up to 5Km (-F260-NL5)

#### Abundant Functions and Features

Strong PT structure has smooth movements even with a 100kg carry-on load  
 Optical defog  
 Built-in O-sensor  
 AR & AF housing glass  
 Aviation connector

### Dimensions Units: mm



### Specifications

IPC525	
<b>Camera</b>	
Image Sensor	1/1.9" Progressive Scan CMOS
Pixels	2.0 Megapixel
Min. Illumination	Color: 0.001lux @ (F1.2, AGC ON) B/W: 0.0001lux @ (F1.2, AGC ON); 0lux with IR
Shutter Speed	1 ~ 1/30,000s
Day / Night	Auto (ICR) / Color / B/W
Wide Dynamic Range	Ultra WDR, 120dB
S/N Ratio	>57dB
White Balance	Auto / Manual
Gain Control	Auto / Manual
Backlight Compensation	Off / BLC / HLC
<b>Lens</b>	
Focal Length	-F132-NL2: 15.6 ~ 500mm, 32x optical -F160-NL3: 12.5 ~ 750mm, 60x optical, 2x Barlow lens supported -F260-NL5: 16.7 ~ 1000mm, 60x optical, 2x Barlow lens supported
Zoom Speed	Approx 3 ~ 10s (Optical)
Angle of View	-F132-NL2: 26.73°~ 0.75° (Wide-Tele) -F160-NL3: 28.71°~ 0.49° (Wide-Tele) -F260-NL5: 23.01°~ 0.41° (Wide-Tele)
Minimum Object Distance	5000mm (Wide)
Max. Aperture Ratio	F3.5 (Wide) / F16 (Tele)
Focus Control	Auto / Manual / Semi-Automatic
Auto Back Focus	Automatic
Optical Defog	Supported
<b>Laser</b>	
Wave Length	808nm
Power Consumption	-F132-NL2: 15W -F160-NL3: 20W -F260-NL5: 25W
Laser Distance	-F132-NL2: 2Km -F160-NL3: 3Km -F260-NL5: 5Km
Laser Intensity	Automatically adjust according to lens zoom
Illuminating Angle	0.3° ~ 30° continuous change
<b>Vision</b>	
Day	-F132-NL2: 3Km -F160-NL3: 5Km -F260-NL5: 8Km
Night	-F132-NL2: 2Km -F160-NL3: 3Km -F260-NL5: 5Km
<b>Pan and Tilt</b>	
Pan / Tilt Range	360° Endless / -60° ~ 60° (Auto Flip)
Pan / Tilt Speed	Pan manual speed: 0.01° ~ 15°/s; Pan preset speed: 15°/s Tilt manual speed: 0.01° ~ 10°/s; Tilt preset speed: 10°/s
Proportional Zoom	Pan / Tilt speed can be adjusted automatically according to zoom multiples
Preset	256
Patrol	8 Patrols scheme, up to 32 presets per patrol
Pattern Scan	4 Scan paths, each path can record 10 minutes of operation path
Power-off Memory	Power-off memory / Power-on recovery
Auto Guard	Path / Preset / Pan scan
PT Limit	Manual / Scan / Pan
3D Positioning	PTZ control with mouse click and drag
Electronic compass	Built-in O-sensor
Location Sensor	GPS
<b>Shield</b>	
Housing Glass	AR & AF glass
<b>Video</b>	
Compression	H.265 / H.264 / MJPEG
Image Resolution	Main stream: 1080p Secondary stream: D1
Frame Rate	Main stream: 1080p@30fps Secondary stream: D1@30fps
Bitrate	32kbps ~ 16Mbps
Bitrate Control	VBR / CBR
Multi-stream	Supported
Caption	Date and time / Alarm / Direction / Customized
Privacy Masking	Up to 4 zones
Motion Detection	Up to 4 zones
Video Freeze	Supported
ROI	Supported
Digital Noise Reduction	3D noise reduction
Digital Defog	Supported
Image Flip	Mirror
<b>Audio</b>	
Compression	G.711a / G.711u / ADPCM / G.722 / AAC-LC / G.722.1c / G.726
Bitrate	32kbps ~ 64kbps
Audio Function	Bi-directional audio / AEC / Mixed audio recording / Dumb / Mute
<b>Network</b>	
Network Protocol Supported	TCP/IP, UDP, HTTP, DHCP, DNS/DDNS, RTP/RTCP, RTSP, PPPoE, FTP, VSIP, UPnP, 802.1x, NAT, QoS, SMTP, IPv4, IPv6 (optional)
User Interface	IPC Control
Max. Max. User Access	10 Users (include 2 internal access)
Application Programming	ONVIF, GB/T 28181-2011, API
Automatic Network Replenishment (ANR)	Supported
<b>Alarm</b>	
Alarm Triggers	Network disconnect / Disk full / Disk error
Intelligent	Motion detection / Tampering / Guard line / Enter guard area / Exit guard area / Object left / Object removal / Gathering / Audio surge
Alarm Events	Alarm report / Recording / Text overlay / Snapshot / External output / Email notice / Acoustic alarm
<b>Interfaces</b>	
Ethernet	10/100M, RJ45 interface
Audio In / Out	1 x Line in / 1 x Line out
Alarm	1 x Output
Memory Slot	TF card slot, supports up to 128GB
<b>Environmental</b>	
Operating Temperature	-40°C ~ 60°C / -40°F ~ 140°F
Operating Humidity	10% ~ 95%
Protection Level	IP66, TVS 6000V lightning protection, surge protection and voltage transient protection
<b>Electrical</b>	
Power	24V DC ± 25% (Power adapter included)
Power Consumption	-F132-NL2: Max. 110W (Laser on) -F160-NL3: Max. 115W (Laser on) -F260-NL5: Max. 120W (Laser on)
<b>Mechanical</b>	
Weight	65kg / 143.3lb (Gross Weight)
Dimensions	775mm × 424mm × 688.5mm / 30.51" × 16.69" × 27.11"