

KDM2801H-G2

VMS - Video Management System



Feature

High-performance, High-capacity

- Up to 1000 channels per unit
- Max. 640Mbps incoming bandwidth
- Max. 640Mbps output bandwidth
- Up to 1000 Standby Connections
- 8-level cascade
- 32 devices stack per level

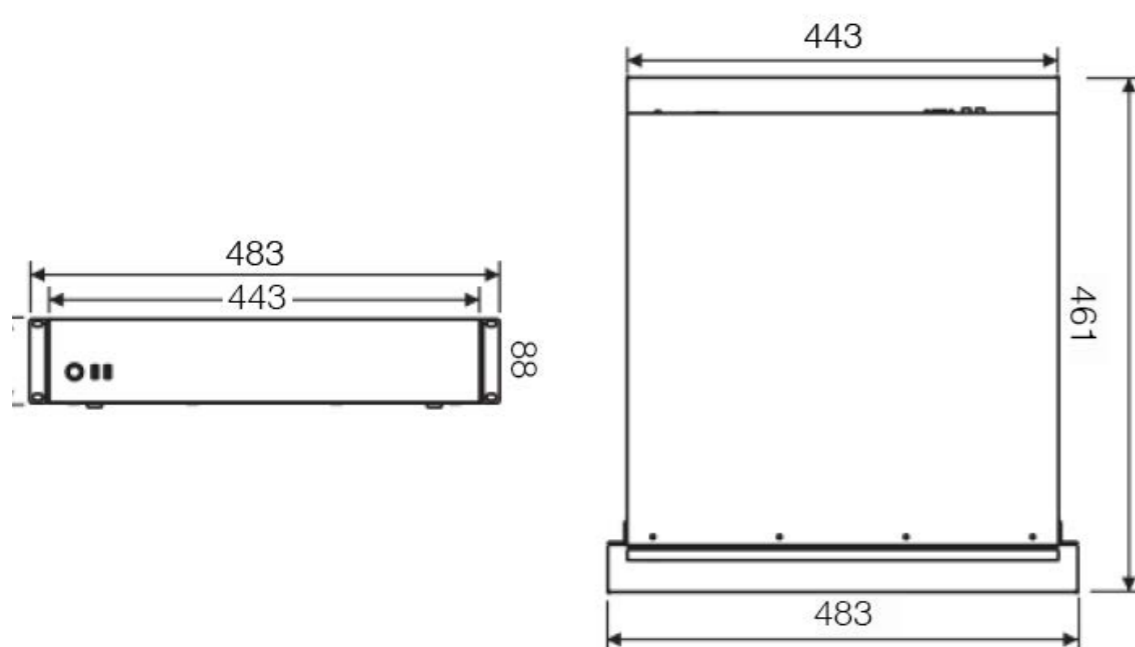
High reliability

- Embedded Linux
- Packet Loss Recovery (PLR) supported

Abundant functions and features

- E-Map, TV-Wall supported
- Bi-directional audio
- NAT, Socks5
- Alarm management
- Free Client (CU client)

Dimensions.....Units:mm



Specifications

KDM2801H-G2	
Capacity	
Access	1000 Standby Connections
Stack	32 devices per level, up to 3,000 channels
Cascade	8-level, up to 20,000 channels
Incoming Bandwidth	Max. 640Mbps
Output Bandwidth	Max. 640Mbps
Live Viewing	
Multi-Screen Display	Up to 64 video windows
E-Map	Live Viewing in E-Map
Function	E-PTZ / Scheme / Polling / TV-Wall (optional with decoder)
Recording	
Mode	Manual / Continuous / Schedule / Event (Pre / Post)
Event Trigger	Alarm input / Video lost / Motion Detection
Search & Playback	
Search Mode	Date and time (Calendar) / Event
Playback Mode	Single Playback / Multi Playback / Synchronize Playback
Function	Slow forward / Fast forward / Loop / Single Frame / E-PTZ
Storage	
External	IPSAN (iSCSI), up to 31 x IPSAN
Video	
Compression	H.265 / H.264 / MPEG4
Image Resolution	QXGA, 1080p, UXGA, 960p, 720p, XGA, SVGA, D1, CIF, QCIF
Frame Rate	1 ~ 30fps
Bitrate	64kbps ~ 8Mbps
Audio	
Compression	G.711a / G.711u / ADPCM / G.722 / G.722.1c / AAC-LC
Bitrate	32kbps ~ 64kbps
Alarm	
Alarm Triggers	Alarm input / Video lost / Motion Detection / Disk alarm
Alarm Events	Snapshot / Recording / PTZ preset / Alarm out / Buzzer / Link to Client / Alarm caption
System	
Operating System	Embedded Linux
User Management	Super admin / Admin / User
Log Management	User login / User operation / Device / Alarm / Backup
Network	
Network Protocols	SIP, TCP/IP, UDP, HTTP, DHCP, DNS/DDNS, RTP/RTCP, RTSP, FTP, SNTP, VSIP
Viewer Software	CU Client
Max. User Access	1000 Users
Protocols	ONVIF, GB/T 28181-2011
Application Programming	CU SDK
Function	NAT / Socks5 / Multiple network access / Packet loss recovery
Interfaces	
Ethernet	2 x Gigabit network port, RJ45 interface
USB	4 x USB2.0
Control	1 x RS485
Video Out	1 x VGA, for debug only
Internal	2 x USB2.0, for USB license dongle
Environmental	
Operating Temperature	0°C ~ 55°C / 32°F ~ 131°F
Operating Humidity	10% ~ 90%
Electrical	
Power	100 ~ 240V AC, 50 ~ 60Hz
Power Consumption	Max. 25W
Mechanical	
Weight	13kg / 28.66lb (Gross Weight)
Dimensions	443 x 461 x 88mm / 17.44" x 18.15" x 3.46"

KDM2802A-G2

High-capacity VMS-Video Management System



Feature

High-performance, High-capacity

- Up to 5000 channels per unit
- Max. 640Mbps incoming bandwidth
- Max. 640Mbps output bandwidth
- Up to 1000 Standby Connections
- 8-level cascade
- 32 devices stack per level

High reliability

- Embedded Linux
- Packet Loss Recovery (PLR) supported

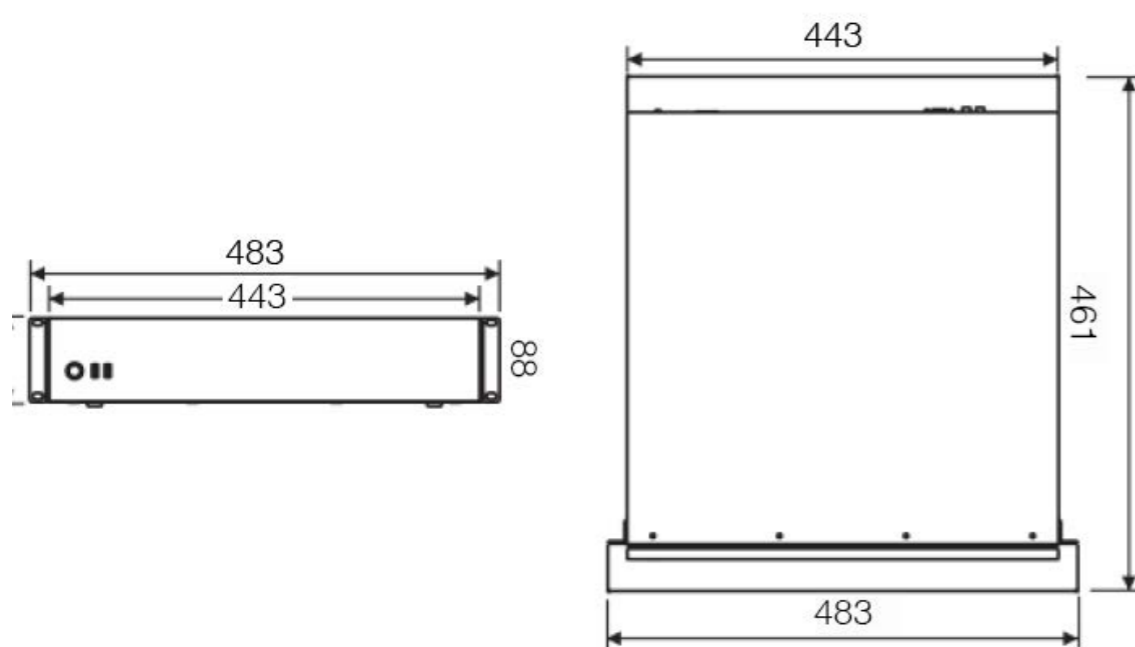
Abundant functions and features

- E-Map, TV-Wall supported
- Bi-directional audio
- NAT, Socks5
- Alarm management
- Free Client (CU client)

Specifications

KDM2802A-G2	
Capacity	
Access	5000 Standby Connections
Stack	32 devices per level, up to 15,000 Channel
Cascade	8-level, up to 50,000 Channels
Incoming Bandwidth	Max. 640Mbps
Output Bandwidth	Max. 640Mbps
Live Viewing	
Multi-Screen Display	Up to 64 multi-window
E-Map	Live Viewing in E-Map
Function	E-PTZ / Scheme / Polling / TV-Wall (optional with decoder)
Recording	
Mode	Manual / Continuous / Schedule / Event (Pre / Post)
Event Trigger	Alarm input / Video lost / Motion Detection
Search & Playback	
Search Mode	Date and time (Calendar) / Event
Playback Mode	Single Playback / Multi Playback / Synchronize Playback
Function	Slow forward / Fast forward / Loop / Single Frame / E-PTZ
Storage	
External	IP SAN (iSCSI), up to 31 x IP SAN
Video	
Compression	H.265 / H.264 / MPEG4
Image Resolution	QXGA, 1080p, UXGA, 960p, 720p, XGA, SVGA, D1, CIF, QCIF
Frame Rate	1 ~ 30fps
Bitrate	64kbps ~ 8Mbps
Audio	
Compression	G.711a / G.711u / ADPCM / G.722 / G.722.1c / AAC-LC
Bitrate	32kbps ~ 64kbps
Alarm	
Alarm Triggers	Alarm input / Video lost / Motion Detection / Disk alarm
Alarm Events	Snapshot / Recording / PTZ preset / Alarm out / Buzzer / Link to Client / Alarm caption
System	
Operating System	Embedded Linux
User Management	Super admin / Admin / User
Log Management	User login / User operation / Device / Alarm / Backup
Network	
Network Protocols	SIP, TCP/IP, UDP, HTTP, DHCP, DNS/DDNS, RTP/RTCP, RTSP, FTP, SNTP, VSIP
Viewer Software	CU Client
Max. User Access	1000 Users
Protocols	ONVIF, GB/T 28181-2011
Application Programming	CU SDK
Function	NAT / Socks5 / Multiple network access / Packet loss recovery
Interfaces	
Ethernet	3 x Gigabit network port, RJ45 interface
USB	4 x USB2.0
Control	1 x RS485
Video Out	1 x VGA, for debug only
Internal	2 x USB2.0, for USB license dongle
Environmental	
Operating Temperature	0°C ~ 55°C / 32°F ~ 131°F
Operating Humidity	10% ~ 90%
Electrical	
Power	100 ~ 240V AC, 50 ~ 60Hz
	Redundant Power Supply
Power Consumption	Max. 80W
Mechanical	
Weight	15kg / 33.07lb (Gross Weight)
Dimensions	443 x 461 x 88mm / 17.44" x 18.15" x 3.46"

Dimensions.....Units:mm



KDM2901-M-G2

VMS - Video Management System



Feature

High-performance, High-capacity

- Up to 10,000 channels per unit
- Up to 300 users access simultaneously
- 8-level cascade
- 32 devices stack per level

High reliability

- Packet Loss Recovery (PLR) supported
- N+1 Hot Backup

Abundant functions and features

- E-Map, TV-Wall supported
- Bi-directional audio
- NAT, Socks5
- Alarm management
- Free Client (CU client)

Specifications

KDM2901-M-G2	
Capacity	
Access	10,000 Channels (Standby Connections)
Stack	32 devices per level, up to 15000 Channel (rely on root VMS)
Cascade	8-level, up to 50,000 Channel (rely on root VMS)
Live Viewing	
Multi-Screen Display	Up to 64 multi-window view
E-Map	Live Viewing in E-Map
Function	E-PTZ / Scheme / Polling / TV-Wall (optional with decoder)
Recording	
Mode	Manual / Continuous / Schedule / Event (Pre / Post)
Event Trigger	Alarm input / Video lost / Motion Detection
Search & Playback	
Search Mode	Date and time (Calendar) / Event
Playback Mode	Single Playback / Multi Playback / Synchronize Playback
Function	Slow forward / Fast forward / Loop / Single Frame / E-PTZ
Storage	
External	IPSAN (iSCSI), up to 31 x IPSAN
Video	
Compression	H.265 / H.264 / MPEG4
Image Resolution	QXGA, 1080p, UXGA, 960p, 720p, XGA, SVGA, D1, CIF, QCIF
Frame Rate	1 ~ 30fps
Bitrate	64kbps ~ 8Mbps
Audio	
Compression	G.711a / G.711u / ADPCM / G.722 / G.722.1c / AAC-LC
Bitrate	32kbps ~ 64kbps
Alarm	
Alarm Triggers	Alarm input / Video lost / Motion Detection / Disk alarm
Alarm Events	Snapshot / Recording / PTZ preset / Alarm out / Buzzer / Link to Client / Alarm caption
System	
User Management	Super admin / Admin / User
Log Management	User login / User operation / Device / Alarm / Backup
System Requirements (Hardware)	
CPU	Min: Intel Core i7 Recommended: Intel Core i7 * 4
RAM	Min:32GB Recommended: 128GB
HDD	1TB
Interfaces	
Ethernet	2 x Gigabit network port, RJ45 interface
USB	4 x USB2.0
Control	1 x RS485
Video Out	1 x VGA, for debug only
Internal	2 x USB2.0, for USB license dongle
System Requirements (Software)	
Supported Operating System	Centos 6.5 64-bit

KProServer3

CPU Server



Feature

High-performance, High-capacity

High density CPU chassis
2 x Intel Xeon processor E5-2620V3
64GB RAM
1 x 2.4TB SAS, 1x 960GB SSD, 2 x SFP

Specifications

KProServer3	
KProServer3-B01	High density CPU server chassis 19" 2U standard blade rack server chassis, able to insert 4 computing nodes, each computing node configuration 6 slot of 3.5-inch / 2.5-inch compatible hard drive slot, a total of 24 hard disk slot can be placed Include 2 unit of 2150W redundant platinum power supply
KProServer3-N100-E01 64G	Computing Nodes for KProServer3-B01 2 x Intel Xeon processor E5-2620V3 (6 core, 12 thread, 2.4GHz, 15MB Cache), 64GB RAM, 1 x 2.4TB SAS, 1x 960GB SSD, 2 x SFP OS license not included
Functions	Compares the attributes of each face Calculates the similarity percentage between faces
Operating Temperature	10°C ~ 40°C / 50°F ~ 104°F
Operating Humidity	50% ~ 90%
Power	100 ~ 127V AC, 50 ~ 60Hz / 200 ~ 240V AC, 50 ~ 60Hz
Power Consumption	Max. 2150W (4 computing nodes included)
Weight	38kg / 83.78lb (including 4 x nodes)
Chassis Dimensions	733 x 438 x 86.9mm / 28.86" x 17.24" x 3.42"