



# EYE TO EYE

## SECURITY

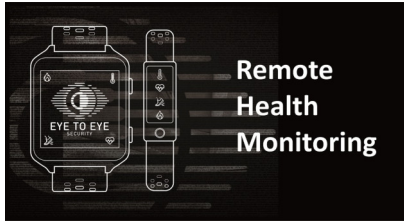
HEALTH

MONITORING

TECHNOLOGY

***YOUR GOAL IS  
OUR MISSION***

February 2021 Edition



# Table of Contents

**Page 1**.....ETE-TH07 Remote Accessible Health Check Monitoring Bracelet

**Page 2**.....ETE-TH07A Remote Accessible Health Check Monitoring Bracelet

**Page 3**.....ETE-TH07L Remote Accessible Health Check Monitoring Smart Watch

**Page 4**.....ETE-TH07/08-HGW A-IOT Wireless + Bluetooth Hardware Gateway

**Page 4**.....ETE-TH07/08-MGW A-IOT Wireless + Bluetooth Mobile Gateway

**Page 5**.....ETE Health Platform

**Page 6**.....ETE-SN-T5 Body Temperature Detection Network Camera

**Page 7**.....ETE-SN-T5G/F Body Temperature Detection Network Camera

**Page 8**.....ETE-SN-F22 Body Temperature Measurement Camera

**Page 9**.....ETE-TH06S Body Temperature Detection and Face Recognition Terminal

**Page 10**.....ETE-Sunview Central Management System

**Page 11**.....ETE-BT-CB Portable Blackbody

**Page 11**.....ETE-BK360 Tripod

**Page 11**.....ETE-BK346 Wall Mount Bracket

**Page 11**.....ETE-BK350 Ceiling Mount Bracket

# ETE-TH07



## Remote Accessible Health Check Monitoring Bracelet



### Features

#### Temperature Recognition

Medical grade temperature measuring bracelet  
 High-precision sensor with accuracy of 0.1°C  
 Accurate temperature measurement by wearing the bracelet on the wrist and adjusting it to the appropriate degree of tightness  
 Temperature measurement results available at the press of a key

#### Intelligent Functions

Early warning system: abnormal temperature alarm + platform push SMS alarm  
 Bracelet warning: high body temperature, bracelet vibration warning + critical point discoloration warning  
 Panic Alarm, Disconnection Alarm, Wrist removal Alarm and Idle Alarm  
 Data is transmitted in the background in real time through the Mobile Phone or ETE Bluetooth Gateway

#### Excellent Features

NFC and Location tracking services through mobile phone or Bluetooth gateway  
 Intelligent monitoring system (school, community, hospital, organizations etc.)  
 Body temperature information of the person wearing the bracelet is uploaded to the cloud platform automatically  
 Current data is displayed in real time on the platform and the historical data is stored for long-term analysis

### Specifications

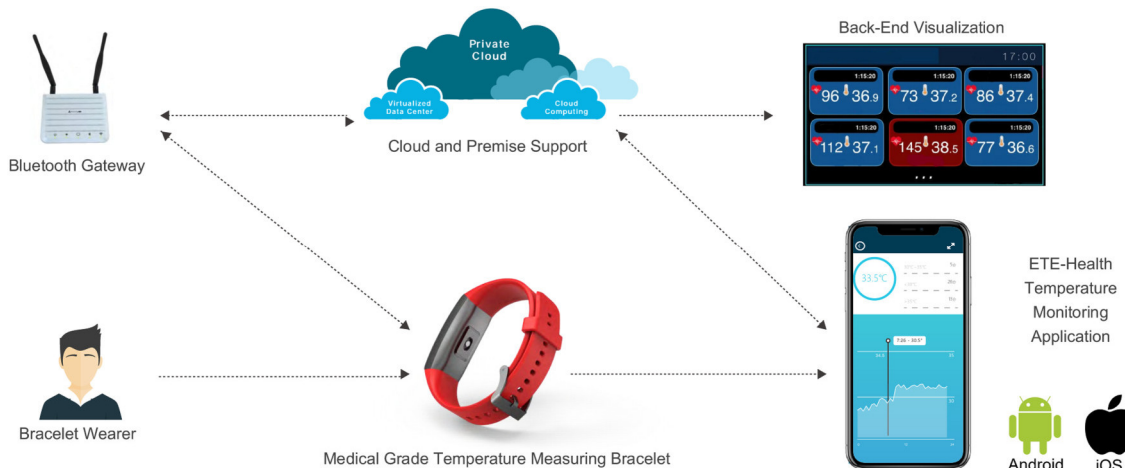
ETE-TH07	
<b>Properties</b>	
CPU	ARM Cortex-M4 Processor
Flash	2MB
Screen size	0.96inch, 65K Color IPS Screen
Screen resolution	160 x 80
Screen material	TFT LCD
Bluetooth	BLE 4.0
NFC	Support
GPS	Location through Mobile Phone or ETE Bluetooth Gateway
Wristband material	Silica gel
Screen material	Polycarbonate
<b>Temperature</b>	
Temperature Sensor	Medical Grade Precision Temperature Sensor
Body temperature warning	User customizable, Min and Max
<b>Activity Monitoring</b>	
Auto Sleep monitor	24-hour monitoring sleep and awake
Body temp monitor	24-hour monitoring
Step counting	Supported
All-Day Activity	Automatic recognition
Multi-Sport Tracking	Run, Cycling, Elliptical, Rowing, Stairs, Aerobic
<b>Alerts</b>	
Smart alert	Incoming call, Messages, Event
PM2.5	Supported
Weather forecast	Local weather
Alarm	Body Temperature, Panic Alarm, Disconnection Alarm, Wrist removal, Idle Alarm
<b>Operating System</b>	
Android OS	Android 4.4 and above
IOS	IOS7.1 and above
OTA upgrade	Supported
<b>Environmental</b>	
Protection	IP68
Working Temperature	-5°C ~ 55°C, Humidity: 10 ~ 90%
Storage Temperature	-20°C ~ 70°C, Humidity: 5 ~ 95%
Atmospheric pressure	86 ~ 106KPa
<b>General</b>	
Key	Home
Language	English
Battery capacity	75mAH
Battery voltage	4.2V
Long battery life	10+ days
Charge mode	USB charge
Dimensions	38.5 x 19 x 10.8mm

### Dimensions

Units: mm



### ETE-TH07 Temperature Measurement System Architecture



# ETE-TH07A



EYE TO EYE  
SECURITY

## Remote Accessible Health Check Monitoring Bracelet



### Features

#### Health Check and Analysis

Heart rate tracking and analysis on ETE Health mobile App and ETE Health Platform  
 Blood pressure monitoring and analysis on ETE Health mobile App and ETE Health Platform  
 Medication reminder alerting the wearer to take their medicine as prescribed  
 Tracking wearer medical prescription compliance and inventory analysis

#### Intelligent Functions

Abnormal Heart rate and blood pressure alarm to the ETE Health Platform  
 Abnormal Heart rate and blood pressure bracelet vibration warning to alert the wearer  
 Panic Alarm and Idle Alarm  
 Health data transmission to the ETE Health platform in real time through the Mobile Phone or ETE Bluetooth Gateway

#### Excellent Features

NFC and Location tracking services through mobile phone  
 Intelligent monitoring system (community, health care givers, hospitals, pharmacies etc.)  
 Current data is displayed in real time on the platform and the historical data is stored for long-term analysis

### Specifications

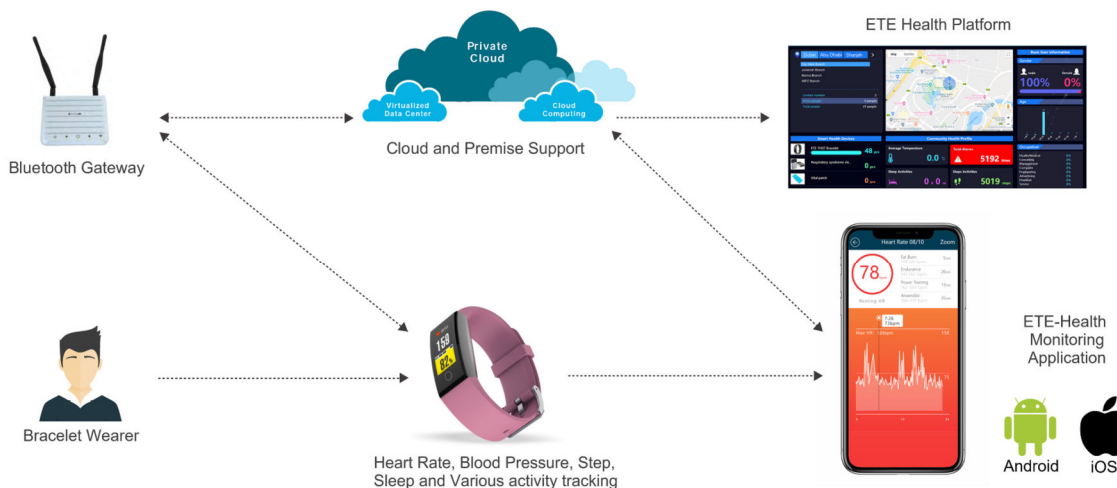
ETE-TH07A	
<b>Properties</b>	
CPU	ARM Cortex-M4 Processor
Flash	2MB
Screen size	0.96inch, 65K Color IPS Screen
Screen resolution	160 x 80
Screen material	TFT LCD
Bluetooth	BLE 4.0
NFC	Supports
GPS	Location through Mobile Phone
G-sensor	Lis3DH
Wristband material	Breathable, Silicon UV-Resistant
Screen material	Polycarbonate
<b>Health Monitoring</b>	
Heart Rate	Supports
Blood Pressure	Supports
Medication Reminder	Supports
<b>Activity Monitoring</b>	
Auto Sleep monitor	24-hour monitoring sleep and awake cycles
Step counting	Supports, Distance travelled
All-Day Activity	Automatic recognition, Calories burned, Activity goals
Multi-Sport Tracking	Run, Cycling, Elliptical, Rowing, Stairs, Aerobic
<b>Alerts</b>	
Smart alert	Incoming call, Message, Event, Idle reminder
PM2.5	Supports
Weather forecast	Local weather
Alarm	Heart rate and Blood Pressure Alarm, Panic Alarm
<b>Operating System</b>	
Android OS	Android 4.4 and above
IOS	IOS 8 and above
OTA upgrade	Supports
<b>Environmental</b>	
Protection	IP68
Working Temperature	-5°C ~ 55°C, Humidity: 10 ~ 90%
Storage Temperature	-20°C ~ 70°C, Humidity: 5 ~ 95%
Atmospheric pressure	86 ~ 106KPa
<b>General</b>	
Key	Home
Language	English
Battery capacity	75mAH
Battery voltage	4.2V
Long battery life	10+ days
Charge mode	USB charge
Dimensions	38.5 x 19 x 10.8mm

### Dimensions

Units: mm



### ETE-TH07A Remote Health Monitoring System Architecture



# ETE-TH07L



## Remote Accessible Health Check Monitoring Bracelet

EYE TO EYE  
SECURITY



### Features

#### Health Check and Analysis

Heart rate tracking and analysis on ETE Health mobile App and ETE Health Platform  
Up to 5 Heart rate zone training, helping the wearer monitor their performance at a glance  
Blood pressure monitoring and analysis on ETE Health mobile App and ETE Health Platform  
Medication reminder alerting the wearer to take their medicine as prescribed  
Tracking wearer medical prescription compliance and inventory analysis

#### Intelligent Functions

Abnormal Heart rate and Blood pressure alarm to the ETE Health Platform  
Abnormal Heart rate and Blood pressure watch vibration warning to alert the wearer  
Panic Alarm and Idle Alarm  
Health data transmission to the ETE Health platform in real time through the Mobile Phone or ETE Bluetooth Gateway

#### Excellent Features

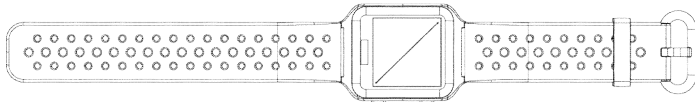
Intelligent monitoring system (community, health care givers, hospitals, pharmacies etc.)  
Current data is displayed in real time on the ETE Health platform and the historical data is stored for long-term analysis  
5ATM waterproof rating with up to 50 meters

### Specifications

ETE-TH07L	
<b>Properties</b>	
CPU	ARM Cortex-M4 Processor
Flash	2MB
Screen size	1.28inch
Screen resolution	176 x 176
Screen material	2.5D Corning Gorilla Glass 3
Screen type	ITE Touch Screen, Always On Memory LCD
Bluetooth	BLE 4.0
GPS	Ublox, LDS antenna
G-sensor	Lis3DH
Wristband material	Breathable, Silica gel
<b>Health Monitoring</b>	
Heart Rate	Supports
Blood Pressure	Supports
Medication Reminder	Supports
<b>Activity Monitoring</b>	
Auto Sleep monitor	24-hour monitoring sleep and awake cycles
Step monitoring	Supported, Distance travelled, GPS Routes tracking
All-Day Activity	Automatic recognition, Calories burned, Activity goals
Multi-Sport Tracking	Run, Cycling, Elliptical, Rowing, Stairs, Aerobic
<b>Alerts</b>	
Smart alert	Incoming call, Message, Event, Idle reminder
PM2.5	Supports
Weather forecast	Local weather
Alarm	Heart rate and Blood Pressure Alarm, Panic Alarm
<b>Operating System</b>	
Android OS	Android 4.4 and above
IOS	IOS 8 and above
OTA upgrade	Supports
<b>Environmental</b>	
Protection	IP68
Waterproof rating	5ATM, up to 50 meters
Working Temperature	-5°C ~ 55°C, Humidity: 10 ~ 90%
Storage Temperature	-20°C ~ 70°C, Humidity: 5 ~ 95%
Atmospheric pressure	86 ~ 106KPa
<b>General</b>	
Keys	Function, Return
Language	English
Battery capacity	220mAH
Long battery life	28+ days, depending on usage
Charge mode	Magnetic charger
Dimensions	33.9 x 41.8 x 11.0mm

### Dimensions

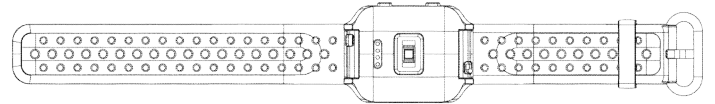
Units: mm



Display Size: 1.28" ( 32.5mm ) Square

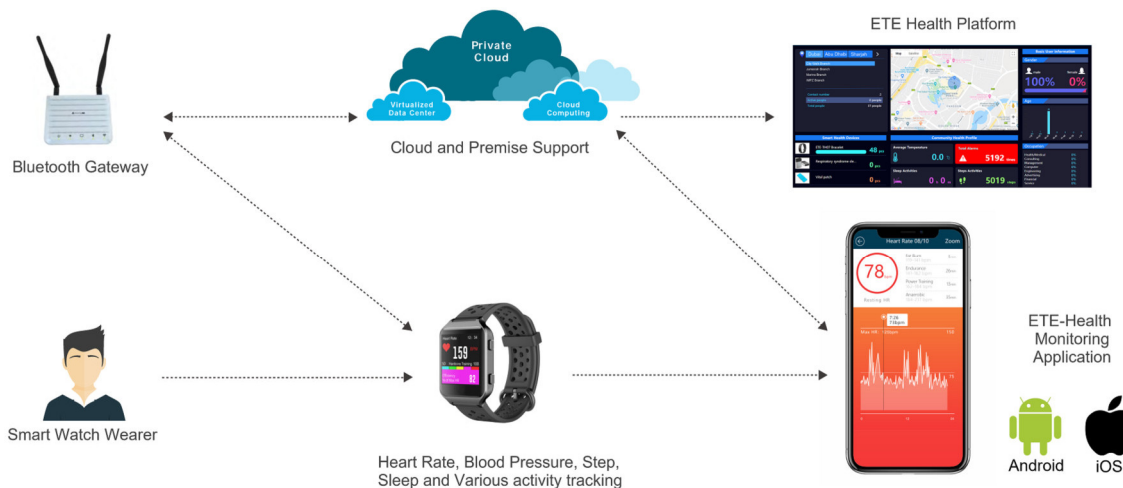


Device Dimensions: 41.8mm x 33.9mm x 11.0mm



Breathable Strap: 245mm x 21mm, Silicon UV-Resistant

### ETE-TH07L Remote Health Monitoring System Architecture



# ETE-TH07/08-HGW



EYE TO EYE  
SECURITY

## A-IOT Wireless + Bluetooth Hardware Gateway



### Features

#### Intelligent Functions

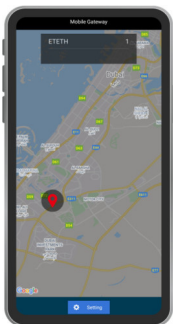
Wireless + Bluetooth Hardware Smart Gateway is a versatile, high-speed remote A-IOT for indoor transmission of bracelet health data to the ETE Health platform  
Uploads health data to the platform automatically when connected to the bracelet via Bluetooth  
Supports different kinds of communication protocols: Wi-Fi, Bluetooth and Ethernet  
Lightweight, easy to configure and use with seamless connection to the bracelet and the ETE Health platform  
Universal Asynchronous Receiver/Transmitter Port for debugging

### Specifications

ETE-TH07/08-HGW	
<b>Hardware Properties</b>	
Main Chipset	V3S
BLE Chipset	nRF52832-CIAA-R7
WIFI Chipset	NOVACS02-D
Flash Memory	TF card, 8G/16G
SDRAM for CPU	Internal 512MB DDR2 Memory
<b>Interfaces</b>	
LAN	1 x 10/100Base-TX MDI/MDIX RJ-45 port Compliant with following standards: 1. IEEE 802.3/802.3u 2. Hardware based 10/100, full/half, flow control auto negotiation 3. Non-blocking wire speed reception and transmission 4. Full duplex IEEE 802.3x flow control and half duplex back-pressure flow control 5. Broadcast storm protection 6. Automatic address learning, address aging and address migration 7. Integrated address Look-Up Engine, 1Kb absolute MAC addresses supported
WLAN	802.11n Wireless
<b>WIFI</b>	
Standard	IEEE 802.11g, IEEE 802.11 b
Data Rate	11g: 54Mbps 11b: 11Mbps
Frequency	2.4 ~ 2.4835GHz
Wireless Security/Function	64/128-bit WEP, WPA/WPA2, WPAPSK/WPA2-PSK, 802.1 X
Ethernet Standard	IEEE802.3, IEEE802.11b/g Auto MDI/MDI-X
Router protocol	Static IP; DHCP Client/Server
Management	HTTP WEB Server, Remote management
<b>Bluetooth</b>	
Standard	BLE4.0
Frequency	2.4 ~ 2.4835GHz
<b>Hardware</b>	
Interfaces	1 x 10/100M RJ45 Port 1 x TF card socket 2 x RP-SMA Connectors
Keys	Power Key; Reset Key
WIFI Antenna	5dBi Vertical Omni-directional Antenna
BLE Antenna	5dBi Vertical Omni-directional Antenna
WIFI Transmit Power	<20dBm+5dBi (Antenna)
BT Transmit Power	<0dBm+5dBi (Antenna)
Power Supply	5V/2A ~ 24V/0.5A
Debug Port	UART
<b>Environmental</b>	
Operating Temperature	0°C ~ 40°C (32°F ~ 104°F)
Storage Temperature	-30°C ~ 70°C (-22°F ~ 158°F)
Relative Humidity	10% ~ 90%, non-condensing
Storage Humidity	5% ~ 95%, non-condensing

# ETE-TH07/08-MGW

## A-IOT Wireless + Bluetooth Mobile Gateway



### Features

#### Intelligent Functions

Bluetooth Mobile Gateway is a versatile high-speed remote A-IOT mobile application for transmission of bracelet health data to the ETE Health platform  
Uploads health data to the platform automatically when connected to the bracelet via Bluetooth  
Supports different kinds of communication protocols: 3G/4G, Wi-Fi and Bluetooth  
Transmits the location of the health bracelet wearer through mobile device GPS  
Can be installed on Android or iOS mobile devices  
Easy to install, configure and use with seamless connection to the bracelet and ETE Health platform

### Specifications

ETE-TH07/08-MGW	
<b>Capacity</b>	
Connected Devices	Up to 15 Bracelets
<b>Connectivity</b>	
BLE	BLE4.0 or above
Network	3G/4G/WIFI
Location	GPS
<b>Software Requirements</b>	
OS	Android 4.4+ iOS 8.0+
<b>System Requirements</b>	
CPU	Quad Core processor
RAM	Min. 2GB
Storage	200MB

# ETE Health Platform

## Remote Health Monitoring Platform



Remote Health Check Monitoring | Platform | Activity | Sleep | Reports | System | Hi,tawanda

Dubai | Shanghai | West Eur... | te >>

Eye To Eye Security ▲

- ETE IT Department
- ETE HR Department
- ETE Finance Department
- ETE POC
- Dubai Ambulance ▼
- Human Integration ME ▼
- Emaar ▼
- Modlatch ▼
- Apple ▼
- WMotor ▼

Map | Satellite

**Basic User information**

Gender

male 86% female 14%

Age

Departments

**Smart Health Devices**

- ETE-TH07 51 pcs
- ETE-TH07A 3 pcs
- ETE-TH07L 3 pcs

**Community Health Profile**

Average Temperature 36.4 °C

Total Alarms 1 times

Sleep Activities 0 h 0 m

Steps Activities 2115 steps

Remote Health Check Monitoring | Platform | Activity | Sleep | Reports | System | Hi,tawanda

Please enter Name or User ID

ETE IT Department

Name: Michael  
Age: 60  
Phone: +971543510...  
ID card: 0  
Address: Al salam stre...  
Temp: 36.8  
HR: --  
BP: --  
Steps: 5450  
Total CAL: --

**SOS**

**Real-Time Alarm**

Name	Time	Alarm	Action
Michael	12:40	SOS	Add
Tawanda Shadreck Man...	12:34	Not Worn	Add
Margret Gwozdek	12:34	Not Worn	Add
Michael	12:33	Not Worn	Add

Michael ETE online

**SOS**

0 °C 1 min ago

0 KCal 0 step

Margret G... ETE online

**Not Worn**

0 °C 1 min ago

0 KCal 0 step

Tawanda ... ETE online

36.6 °C 1 min ago

1753 KCal 9672 step

Ahmad ETE offline

0 °C 1 min ago

0 KCal 0 step

Bill ETE offline

0 °C 1 min ago

0 KCal 0 step

Omar ETE offline

0 °C 1 min ago

0 KCal 0 step

Nasser ETE offline

0 °C 1 min ago

0 KCal 0 step

Uros Peta... ETE offline

0 °C 1 min ago

0 KCal 0 step

Tomaz Pet... ETE offline

0 °C 1 min ago

0 KCal 0 step

Lea Stajer ETE offline

0 °C 1 min ago

0 KCal 0 step

Bruce ETE offline

0 °C 1 min ago

0 KCal 0 step

Ferdinand ETE offline

0 °C 1 min ago

0 KCal 0 step

First | Go to: 1 / 2 | Go

# ETE-SN-T5

## Body Temperature Detection Network Camera



EYE TO EYE  
SECURITY



### Features

#### Excellent Features and High Performance

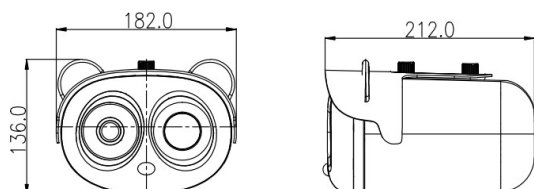
On-board temperature detection algorithm  
Same IP for both Thermal and Visible stream  
Effective pixels 400x300  
Sensitivity 40mK  
Thermal: 8mm fixed lens, Visible: 2.7-12mm motorized lens  
Accuracy of 0.3°C  
Body temperature detection of up to 30 Targets  
Response Time ≤30ms  
17 color control modes

#### Black Body

Helps in achieving accurate target temperature



Dimensions.....Units:mm



We offer a wide range of Accessories...



**SN-BK346**  
Wall bracket



**SN-BK350**  
Ceiling Bracket



**SN-BK350A**  
Black Body Ceiling bracket



**SN-BK360/B**  
Tripod Bracket

### Specifications

ETE-SN-T5	
<b>Thermal Camera</b>	
Detector Type	Uncooled IRFPA Microbolometer
Effective Pixels	400(H) × 300(V)
Pixel Size	17um
Thermal Sensitivity	40mK@F1.0, 300K
White Balance	Support
Spectral Range	8-14um
Image Setting	Polarity LUT/ DVE/ Mirror/ FCC/ 3D DNR Brightness/ Contrast/ ROI
Color Palettes	Black-Heat /White-Heat/Rainbow/Iron-Red up to 17 modes
<b>Thermal Lens</b>	
Focus Control	Manual Focus
Lens Type	Fixed
Focal Length	8mm
F Number	F1.0
Angle of View	H: 48°, V: 35°
<b>Visible Camera</b>	
Image Sensor	1/1.9" Sony
Effective Resolution	1920(H)×1080(V)
Shutter Speed	1/50 ~ 1/64,000s
Wide Dynamic Range	True WDR 120dB
Min. Illumination	Color: 0.01Lux @(F1.2, AGC ON) B/W: 0.001Lux @(F1.2, AGC ON)
S/N Ratio	More than 55dB
<b>Visible Lens</b>	
Focal Length	2.7 ~ 12mm
Max Aperture	F1.6~ F2.9
Angle of View	105°~ 32°
Optical Zoom	Motorized
Focus Control	Motorized
<b>Video and Audio</b>	
Compression	H.265, H.264, MJPEG
Bit Rate Control	CBR/VBR
Frame Rate	Main Stream: Thermal: D1 @25/30fps Visible: 1920×1080/1280×720 @25/30fps Sub Stream: Thermal: CIF @25/30fps Visible: D1/VGA/640×360/CIF/QCIF/QVGA @25/30fps
Bit Rate Control	CBR/VBR
Bit Rate	Thermal: 100Kbps~6Mbps Visible: Main stream: 500Kbps~10Mbps; Sub stream: 100Kbps~6Kbps
Region of Interest	Off / On (8 Zone, Rectangle)
Digital Zoom	Up to 16x
Mirror	Support
Defog	Support
Motion Detection	Support
Privacy Masking	Off / On (4 Area, Rectangle)
DVE Image Enhance	Support
Audio Compression	G.711, AMR, RAW_PCM (Optional)
<b>Intelligence</b>	
Intelligent Functions	Motion detection, Disk alarm, I/O alarm, Temperature alarm
IVS	Smart Body Detection, Perimeter, Single Virtual Fences, Double Virtual Fences Object Left, Object Removed
<b>Temperature Detection</b>	
Detection Mode	Body temperature monitoring
Detection Preset	Max 30 goals
Temperature Alarm	Over temperature alarm, Temperature difference alarm
Accuracy	≤0.3°C (Emission rate, distance, ambient temperature, etc.)
Response Time	≤30ms
Theory of temperature measurement range	-20°C ~ 60°C (-4°F ~ 140°F)
Temperature display mode	Temperature target <5°C, Display absolute temperature value; Temperature target ≤5°C, Display relative temperature value (temperature difference DEV = highest value - average)
<b>Network</b>	
Ethernet	RJ-45 (10/100Base-T)
Network Protocols	IPv4/IPv6, HTTP, RTSP, RTP, TCP, UDP, DHCP, DNS, PPPOE, SMTP, SIP, 802.1x
Max. User Access	10 Users
Interoperability	ONVIF, CGI
Streaming Method	Unicast
Edge Storage	NAS Local PC for instant recording Micro SD card 128GB
Web Viewer	<IE11, Firefox, Chrome
Web Language	English, Chinese, Polish, Italian, Portuguese, Spanish, Russian, French, Czech, Hungarian
<b>Interface</b>	
Ethernet	1 x Ethernet (10/100 Base-T) RJ-45 Connector
Reset Button	Built-in
Audio Interface	1ch Audio In, 1ch Audio Out
Alarm	2ch Alarm In, 2ch Alarm Out
RS485	Support
<b>General</b>	
Power	12V DC / PoE (IEEE 802.3af)
Power Consumption	Max 10W
Operating Temperature	-30°C ~ 60°C (-22°F ~ 140 °F)
Storage Conditions	0~ 90% RH
Protection Level	IP66
Certifications	CE / FCC
Casing	Metal
Weight	2Kg
Dimensions	212×182×136mm



# ETE-SN-T5G/F

## Body Temperature Detection Network Camera



### Features

#### Excellent Features and High Performance

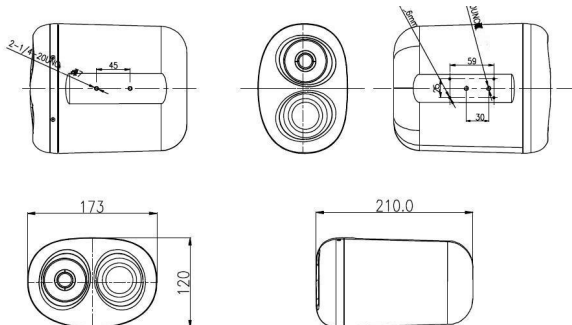
- On-board temperature detection algorithm
- Same IP for both Thermal and Visible stream
- Effective pixels 320x240
- Thermal Sensitivity  $\leq 50\text{mK}$
- Thermal: 8mm fixed lens, Visible: 2.7-12mm motorized lens
- Accuracy of  $\pm 0.3^\circ\text{C}$
- Body temperature detection up to 16 Targets
- Response Time  $\leq 50\text{ms}$
- 14 color control modes

#### Black Body (Optional)

Helps in achieving accurate target temperature



Dimensions.....Units:mm



#### We offer a wide range of Accessories...



SN-BK346  
Wall bracket



SN-BK350  
Ceiling Bracket



SN-BK360/B  
Tripod Bracket

### Specifications

ETE-SN-T5G/F	
<b>Thermal Camera</b>	
Detector Type	Uncooled IRFPA Microbolometer
Effective Pixels	320(H) x 240(V)
Pixel Size	20um
Thermal Sensitivity	$\leq 50\text{mK}$ @F1.0, 300K
Spectral Range	8~14um
Image Setting	Polarity LUT/ DVE/ Mirror/ FCC/ 3D DNR Brightness/ Contrast/ ROI
Color Palettes	Black-Heat /White-Heat/Rainbow/Iron-Red up to 14 modes
<b>Thermal Lens</b>	
Focus Control	Manual Focus
Lens Type	Fixed
Focal Length	8mm
F Number	F1.0
Angle of View	H: 44°, V: 33°
<b>Visible Camera</b>	
Image Sensor	1/2.8" Sony CMOS
Effective Resolution	1920(H)x1080(V)
Shutter Speed	1/5 ~ 1/20,000s
Wide Dynamic Range	True WDR 120dB
Min. Illumination	Color: 0.1Lux @(F1.2, AGC ON) B/W: 0.01Lux @(F1.2, AGC ON)
S/N Ratio	More than 55dB
<b>Visible Lens</b>	
Focal Length	2.7 ~ 12mm
Max Aperture	F1.6~ F2.9
Angle of View	105°~ 32°
Focus Control	Motorized
<b>Video and Audio</b>	
Compression	H.265, H.264, MJPEG
Bit Rate Control	CBR/VBR
Frame Rate	Main Stream: Thermal: D1 @25/30fps Visible Stream: 1920x1080/1280x720 @25/30fps Sub Stream: Thermal: CIF @25/30fps Visible Stream: D1/VGA/640x360/CIF/QCIF/QVGA @25/30fps
Bit Rate Control	CBR/VBR
Bit Rate	Main Stream: Thermal: 100Kbps~6Mbps, Visible: 100Kbps~12Mbps Sub Stream: Thermal: 10Kbps~1.5Mbps, Visible: 10Kbps~6Mbps
Region of Interest	Off / On (8 Zone, Rectangle)
Digital Zoom	Up to 16x
Mirror	Support
Defog	Support
Motion Detection	Support
Privacy Masking	Off / On (4 Area, Rectangle)
DVE Image Enhance	Support
Audio Compression	G.711, AMR, RAW_PCM
<b>Intelligence</b>	
Intelligent Functions	Motion detection, Disk alarm, I/O alarm, Temperature alarm
IVS	Smart Body Detection, Perimeter, Single Virtual Fences, Double Virtual Fences Object Left, Object Removed
<b>Temperature Detection</b>	
Detection Mode	Body temperature monitoring
Detection Preset	Max 16 goals
Temperature Alarm	Over temperature alarm
Accuracy	$\pm 0.3^\circ\text{C}$ (Emission rate, distance, ambient temperature, etc.) with blackbody, Environment temperature: $5^\circ\text{C} \sim 40^\circ\text{C}$ ( $41^\circ\text{F} \sim 104^\circ\text{F}$ ) Detection Distance: 3~5m (4m recommended), Working Environment: Avoid the interference of wind, sunshine, high temperature and reflective objects, indoor is recommended
Response Time	$\leq 50\text{ms}$
Temperature range	$-20^\circ\text{C} \sim 60^\circ\text{C}$ ( $-4^\circ\text{F} \sim 140^\circ\text{F}$ )
<b>Network</b>	
Ethernet	RJ-45 (10/100Base-T)
Network Protocols	IPv4/IPv6, HTTP, RTSP/RTP/RTCP, TCP/UDP, DHCP, DNS, PPPOE, SMTP, SIP, 802.1x
Max. User Access	10 Users
Interoperability	ONVIF, CGI, SDK
Streaming Method	Unicast
Edge Storage	Local PC for instant recording
Web Viewer	<IE11, Firefox, Chrome
Web Language	English, Chinese, Polish, Italian, Portuguese, Spanish, Russian, French, Czech, Hungarian
<b>Interface</b>	
Ethernet	1 x Ethernet (10/100 Base-T) RJ-45 Connector
Reset Button	Built-in
Audio Interface	1ch Audio In, 1ch Audio Out
Alarm	2ch Alarm In, 2ch Alarm Out
RS485	Support
<b>General</b>	
Power	12V DC / PoE (IEEE 802.3af)
Power Consumption	Max 10W
Operating Temperature	$-30^\circ\text{C} \sim 60^\circ\text{C}$ ( $-22^\circ\text{F} \sim 140^\circ\text{F}$ )
Storage Conditions	0~90% RH
Protection Level	IP66
Casing	Metal
Certifications	CE / FCC
Weight	2Kg
Dimensions	210x173x120mm

# ETE-SN-F22

## Body Temperature Measurement Camera



EYE TO EYE  
SECURITY



### Features

#### Excellent Features and High Performance

On-board temperature detection algorithm  
Same IP for both Thermal and Visible stream  
Effective pixels, 256×192  
Thermal Sensitivity, 50mK  
Thermal: 3.2mm fixed lens, Visible: 4mm fixed lens  
Accuracy of ±0.3°C with blackbody  
Body temperature measurement of up to 30 Targets  
Response Time, ≤30ms

#### Black Body

Helps in achieving accurate target temperature



### Specifications

ETE-SN-F22	
<b>Thermal Camera</b>	
Detector Type	Uncooled IRFPA Microbolometer
Effective Pixels	256(H)×192(V)
Pixel Size	12um
Thermal Sensitivity (NETD)	50mK
Spectral Range	8~14um
Image Setting	Polarity LUT / DVE/ Mirror / FCC / 3D DNR Brightness / Contrast/ ROI
Color Palettes	Black-Heat / White-Heat / Rainbow / Iron-Red up to 17 modes
<b>Thermal Lens</b>	
Focus Control	Free Focus
Lens Type	Fixed
Focal Length	3.2mm
F Number	F1.0
Angle of View	H: 56°, V: 42°
<b>Visible Camera</b>	
Image Sensor	1/2.8" Sony CMOS
Effective Resolution	1920(H)×1080(V)
Shutter Speed	1/5~1/20,000s
Wide Dynamic Range	True WDR 120dB
Min. Illumination	Color: 0.1Lux @(F1.2, AGC ON) B/W: 0.01Lux @(F1.2, AGC ON)
S/N Ratio	More than 55dB
<b>Visible Lens</b>	
Focal Length	4mm
Angle of View	H: 84°, V: 45°
<b>Video and Audio</b>	
Compression	H.265, H.264, MJPEG
Bit Rate Control	CBR/VBR
Frame Rate	Main Stream: Thermal: D1 @25/30fps Visible Stream: 1920×1080/1280×720 @25/30fps Sub Stream: Thermal: CIF @25/30fps Visible Stream: D1/VGA/640×360/CIF/QCIF/QVGA @25/30fps
Bit Rate	Main Stream: Thermal: 100Kbps~6Mbps, Visible: 100Kbps~12Mbps Sub Stream: Thermal: 10Kbps~1.5Mbps, Visible: 10Kbps~6Mbps
Region of Interest	Off / On (8 Zone, Rectangle)
Digital Zoom	16x
Mirror	Support
Defog	Support
Motion Detection	Support
Privacy Masking	Off / On (4 Area, Rectangle)
DVE Image Enhance	Support
Audio Compression	G.711: 8Kbps, RAW_PCM: 16Kbps
<b>Intelligence</b>	
Intelligent Functions	Motion detection, Disk alarm, I/O alarm, Temperature alarm
Face Detection	Support face detection and capture
<b>Temperature Detection</b>	
Detection Mode	Body temperature monitoring
Detection Preset	Max 30 goals
Temperature Alarm	Over temperature alarm
Accuracy	±0.3°C (Emission rate, distance, ambient temperature, etc.) with blackbody, Environment temperature: 5°C~40°C (41°F~104°F) Working Environment: Avoid the interference of wind, sunshine, high temperature and reflective objects, indoor is recommended
Response Time	≤30ms
Temperature range	-20°C~60°C (-4°F~140°F)
<b>Network</b>	
Ethernet	RJ-45 (10/100Base-T)
Network Protocols	IPv4/IPv6, HTTP, RTSP/RTP/RTCP, TCP/UDP, DHCP, DNS, PPPoE, SMTP, SIP, 802.1x
Max. User Access	10 Users
Interoperability	ONVIF, CGI, SDK
Streaming Method	Unicast
Edge Storage	Local PC for instant recording
Web Viewer	<IE11, Firefox, Chrome
Web Language	English, Chinese, Polish, Italian, Portuguese, Spanish, Russian, French, Czech, Hungarian
<b>Interface</b>	
Ethernet	1 Ethernet (10/100 Base-T) RJ-45 Connector
Reset Button	Support
Audio Interface	1ch Audio In, 1ch Audio Out
Alarm	2ch Alarm In, 2ch Alarm Out
RS485	Support
BNC Output	Support
<b>General</b>	
Power	DC12V / PoE (IEEE 802.3af)
Power Consumption	Max 10W
Operating Temperature	0°C~60°C (32°F~140°F)
Storage Conditions	0~90% RH
Protection Level	IP66
Casing	Metal
Certifications	CE / FCC
Weight	1Kg (2.2lb)
Dimensions	303×100×107mm (11.93 × 3.94 × 4.21inch)

# ETE-TH06S

## Body Temperature Detection and Face Recognition Terminal



EYE TO EYE  
SECURITY



### Features

#### Excellent Features and High Performance

- Non-contact body temperature measurement
- Temperature measuring range: 30°C to 45°C (86°F to 113°F)
- Temperature measuring accuracy: 0.1°C, deviation: ±0.3°C
- Temperature measuring distance: 0.3 to 1.2m
- Response speed: ≤100ms
- Face recognition distance: 0.3 to 2.0m

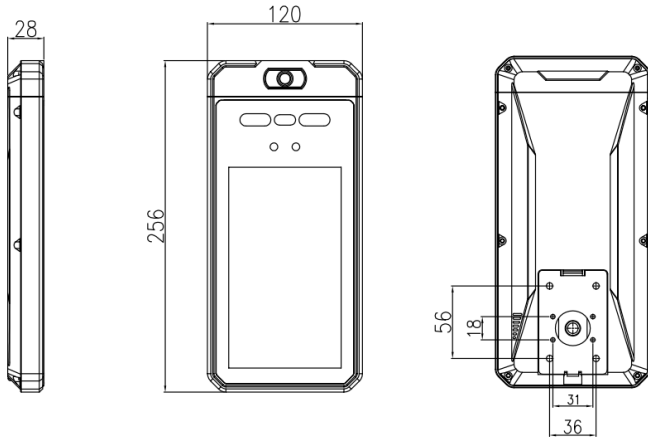
#### Intelligent Functions

- Voice prompt can be triggered and door status can be configured to open or close when detecting abnormal body temperature
- Face recognition duration ≤0.2s per face
- Face recognition accuracy: ≥99.8%
- 30,000 face capacity, 60,000 event capacity
- Displays body temperature measurement results on the authentication page
- 7inch IPS HD display, video lag-free and ghost-free
- Suggested height for face recognition: between 1.2m and 2.2m
- Supports I/O, WG26, WG34, RJ45, USB, Door lock interfaces

### Specifications

ETE-TH06S	
<b>Temperature Measurement</b>	
Temperature Range	30°C to 45°C (86°F to 113°F)
Sensor	Uncooled Microbolometer
Resolution	120×90
Measurement Deviation	±0.3°C, Environment temperature: 20°C~35°C (68°F~95°F), No airflows indoor
Measurement Accuracy	0.1°C
Measuring Distance	0.3 to 1.2m (0.98 to 3.94ft)
Response Speed	≤100ms
<b>Basic</b>	
Display	7inch display
Camera	Dual-lens
Sensor	1/2.8" 2MP Progressive Scan CMOS
WDR	120dB
Light Compensation	Auto white light, Auto IR light
Storage Capacity	RAM: 1GB, EMMC: 8GB
<b>Function</b>	
Authentication Mode	Face, Body temperature, Mask Detection optional
Face Recognition Distance	0.3 to 2.0m (0.98 to 6.56ft)
Face Anti-Spoofing	Support
Audio Prompt	Support
Face Recognition Accuracy	≥99.8%
Face Recognition Time	<0.2s
Face Image Capacity	30,000
Record Capacity	60,000 event capacity
<b>Interface</b>	
Ethernet	1 RJ45 10M/100M Ethernet port
Alarm	3-ch alarm input, 1-ch alarm output
RS485	1-ch switching signal output and RS485 interface (reserved)
Wiegand Input	1 (Support peripheral card reader)
Wiegand Output	1 (WG26, WG34)
USB	1 USB2.0 port
Door Lock Output	1 (Switch quantity)
<b>General</b>	
Power Supply	DC12V, 2A
Power Consumption	Max 8W
Working Temperature	0°C to 50°C (32°F to 122°F) For temperature measurement: 20°C~35°C (68°F~95°F)
Working Humidity	0 ~ 90%, no condensing
Dimensions (L×W×H)	120×28×256mm (4.72×1.10×10.08inch)
Net Weight	1Kg (2.2lb)

Dimensions .....Units:mm



# ETE Sunview

## Central Management System



EYE TO EYE  
SECURITY



### Features

#### Intelligent Functions

- Server/Client Based
- 10,000+ Channels Connection, 5000+ Users
- Face Recognition, License Plate Recognition,
- 1,000,000 Face Library, White & Black List Alarm
- Smart Search, Face Tracking
- Multiple Screens
- Sunell Products Unified Management
- Data Statistics
- E-map

### Specifications

ETE Sunview	
<b>Capacity</b>	
Maximum Number of Cameras	Up to 10000+ channels
User	Up to 5000 Users
Roles for each User	Unlimited
<b>Live View</b>	
Screen Layout	1/ 4 /6 /8 /9 /16 /25 /32 /36 /64 layout 1/ 4 /6 /8 /9 /16 /32 /64 custom layout
PTZ Control	Pan, Tilt, Zoom, Edit and control, Zoom+, Zoom-, IRIS +, IRIS-, Near focus, Far focus, Focus, Orientation, Wiper, Turn on the light, Cruise, Preset
Image	Brightness, Sharpness, Saturation, Contrast
Features	Close View, Start Audio, Start Intercom, Start Record, Snapshot, Continuous Snapshot, Window Ratio, Restore, Start 3D, Full Screen, Hardware Acceleration, Open Mouse Thermometry, Show Area Temperature
<b>Playback</b>	
Playback	NVR recording playback Playback maximum 16 channels under several modes & full screen.
Function and Feature	Recording schedule, Rewind, Pause/Play, Stop, Next frame, -8x~8x speed for forward and backward, Layout display, Full screen, Download, Select progress bar format
<b>Alarm</b>	
Real-Time Alarm	Alarm display, Alarm processing, Alarm operation, Interface display, Toolbar alarm shortcut settings
Alarm Search	Time, Type, Processing status, Device name, Operation, Alarm information, Interface display setting
<b>E-map</b>	
Format	PNG/XPM/JPG
Map Alarm	Alarm flash
Features	Hot spot, map zoom in/out
<b>User Management</b>	
User Management	Add, Delete User and Role Edit and Delete User, Query user
User Level	Administrator, Operator
User Info	User name, password, user level, permissions Different default permissions for different user levels Assignable permission(s) of each IPC
Privilege	Menu Privilege, Channel Privilege, Face Library Privilege
<b>System Configuration</b>	
Base Setting	Login, alarm message, language, initial page set, video proportion, decoding method, default stream
File Path	Configuration picture and video save path
Hotkey Setting	Configuration help documentation, preview full screen, playback, real time alarm, system configuration, user management, device management, capture, lock screen, switch users, turn on/off alarm sound, start/stop record shortcut key.
Capture Setting	Setting capture interval
Log Export	Configuration log export path

### System Requirements

Name	PC Client	Central Management Server	Media Distribution Server	Intelligent Analysis Server (CPU environment)	Intelligent Analysis Server (GPU environment)
CPU	Intel® Core™ i5 or better	Intel® Core™ i5 or better	Intel® Core™ i5 or better	Intel® Core i7 or better	Intel® Core i7 or better
RAM	8 GB or more	4 GB or more	8 GB or more	8 GB or more	8 GB or more
Network Card	Gigabit/s	Gigabit/s	Gigabit/s	Gigabit/s	Gigabit/s
HDD	50 GB or Above	50 GB or Above	50 GB or Above	50 GB or Above	50 GB or Above
OS	Microsoft® Windows® 7 Pro (64 bit) Microsoft® Windows® 10 Pro (64 bit) Microsoft® Windows® 10 Enterprise (64 bit) Microsoft® Windows® Server 2012 Microsoft® Windows® Server 2016				
Software	DirectX 11 or above				
Display Resolution	1600 x 960 and above, Default 1920 x 1080				
GPU					NVIDIA GTX 1050 or better

# ETE-BT-CB

Portable Blackbody



## Specifications

ETE-BT-CB	
<b>Properties</b>	
Effective radiation area	80mm x 80mm
Area emissivity	0.96±0.02
Temperature range	Ambient temperature (+5°C ~ 50°C)
Temperature resolution	0.01°C
Stability accuracy	±0.1°C
Maintain time after	>60 minutes
Using ambient	0°C ~ 45°C
Time to temperature	<10 minutes

# ETE-BK360

Tripod



## Specifications

ETE-BK360	
<b>Properties</b>	
Supported Models	SN-T5, SN-D2, SN-D3
Material	Alloy
Color	Black
Product Dimensions	Max. height: 1900mm, Min. height: 430mm
Product Weight	1.8Kg
Load Bearing	10Kg

# ETE-BK346

Wall Mount Bracket



## Specifications

ETE-BK346	
<b>Properties</b>	
Supported Models	SN-T5
Material	Alloy
Color	White
Product Dimensions	234(L)×95(W)×117(H)mm
Product Weight	414g

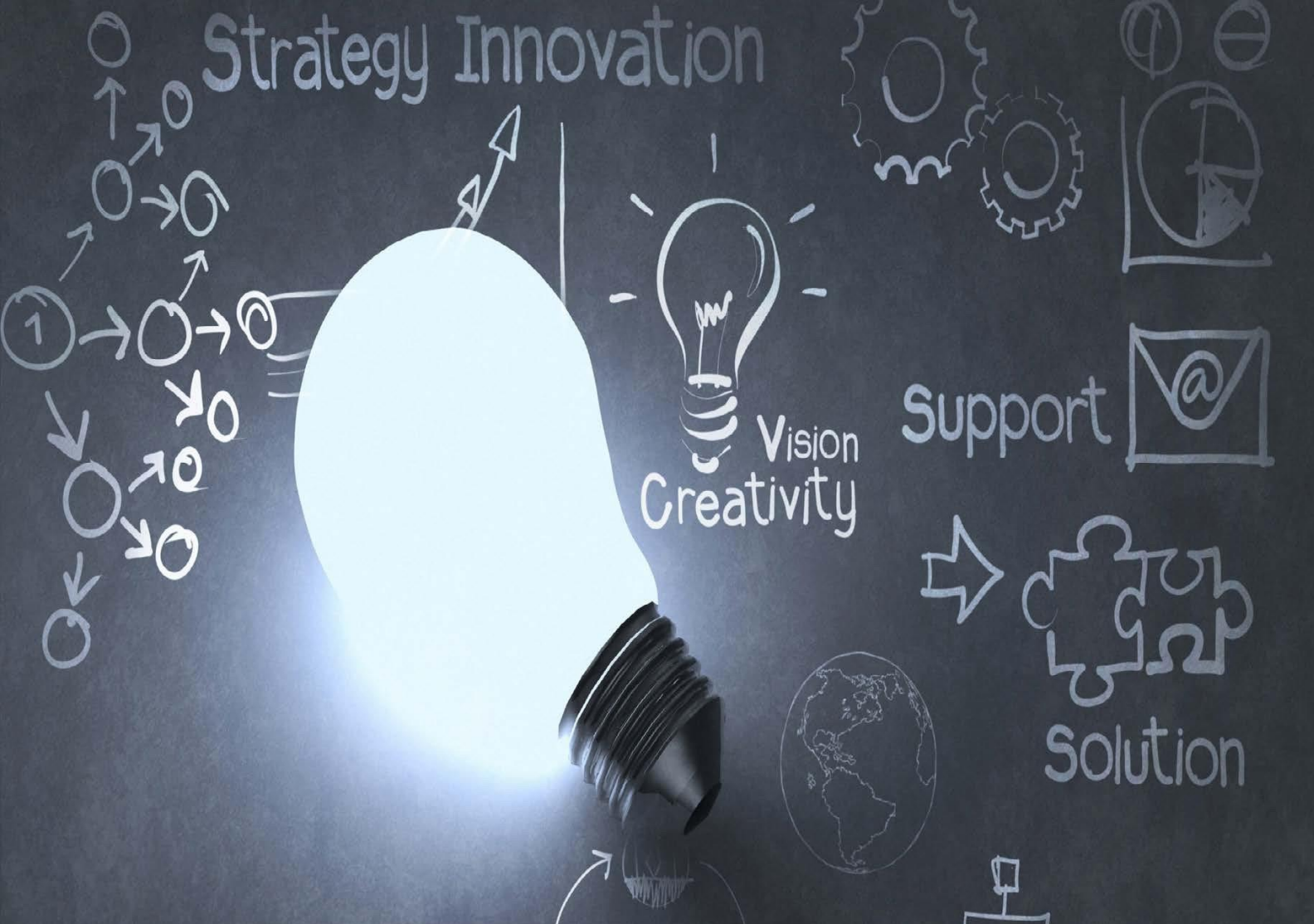
# ETE-BK350

Ceiling Mount Bracket



## Specifications

ETE-BK350		ETE-BK350A
<b>Properties</b>		
Supported Models	SN-T5	SN-TH01
Material	Alloy	
Color	White	
Product Dimensions	φ140mm×700mm~φ140mm×120mm	φ130mm×700mm~φ130mm×120mm
Product Weight	1020g	820g
Load Bearing	5Kg	



Dear Clients,

Thank you for taking the time to browse our Product Catalogue.

We have incorporated herein our comprehensive product range to suit versatile moving surveillance solutions.

We are especially excited to develop our advanced Recognitive Tracking System which has been the world's first of its type.

Before we do anything, we start with our clients in mind and this enables us to develop solutions which create tangible benefits and deliver excellent return on investment.

We are intrinsically R&D oriented in spirit and for this reason we invest a large part of our annual revenue to develop innovative products and solutions.

We take to heart the adage that excellence is a journey and cordially invite you to join us through a progressive future.

Warmest welcome,

Eye To Eye Security Team

The information in this document is subject to change without prior notice. Every effort has been made in the preparation of this document to ensure accuracy of the contents, but that does not guarantee a complete omission of errors and as such any errors present as a result are purely accidental. Further any and all statement/s, information and recommendations in this document do not constitute a warranty of any kind whether expressed or implied. Eye To Eye Security, its staff and partners and associates are not in any way responsible for printing or clerical errors.

SCAN OR CLICK TO DOWNLOAD



ETE-TH07 VIDEO



HEALTH MONITORING  
VIDEO



Eye To Eye Security Trading DWC-LLC

BUILDING A5, OFFICE 140, BUSINESS CENTRE,

DUBAI WORLD CENTRAL, UAE, P.O BOX 712821

[www.eyetoeyesecurity.com](http://www.eyetoeyesecurity.com)